

Platinum/Optima CVE ***Refrigerated Wastewater Samplers*** Composite and Sequential Models **Operations and Maintenance Manual**



69-2303-215
Released August 2022

Use and Disclosure of Data: Information contained herein is classified as EAR99 under the U.S. Export Administration Regulations. Export, reexport or diversion contrary to U.S. law is prohibited.

Table of Contents

Table of Contents.....	3
List of Illustrations.....	7
List of Tables.....	7
Specifications	8
Configuration Quick Start.....	10
Chapter 1: Introduction.....	11
1.1: Features.....	13
1.2: Physical Description	15
1.2.1: Temperature Control System.....	15
1.2.2: Sample Collection Systems.....	15
1.2.3: Sample Storage Systems.....	16
1.2.3.1: 10 or 20 Liter Bottle Installation without turntable	16
1.2.3.2: Install Bottle Configuration: 24-1 Liter Bottles.....	17
1.2.3.3: Install Bottle Configuration: 4x15 Liter Bottle (Platinum Only).....	18
1.2.4: Removing Sequential Bottles (Platinum Only).....	19
1.2.5: Sampling Control System.....	19
1.2.5.1: User Interface Panel.....	19
1.2.5.2: Inputs and Outputs.....	19
1.2.5.3: Sampling Programs	19
Chapter 2: Installation.....	21
2.1: Positioning the Sampler	21
2.1.1: Connecting Power	23
2.1.2: Hydrogen Sulfide Exposure.....	23
2.2: Sampling Line Connection.....	24
2.3: Velocity Control Valve Adjustment.....	25
2.4: Field I/O Connections.....	25
2.4.1: Flow Inputs	26
2.4.2: Relay Outputs.....	27
2.4.3: Float Input.....	27
Chapter 3: User Interface Panel.....	28
3.1: Control Buttons and Functions.....	29
3.2: Menu System	30
3.3: Administration Settings.....	32
3.3.1: Set Language.....	32
3.3.2: Administration Password.....	33
3.3.3: Clock Settings.....	34
3.3.4: LCD Brightness	35
3.3.5: Archival Data Administration.....	36
3.3.6: Set ID Number	36
3.3.7: Set Volumetric Units.....	37
Chapter 4: Sampling Program Configuration.....	38
4.1: Program Selection	38
4.2: Program Configuration Groups	39
4.3: Sampling Cycle Settings.....	40
4.3.1: Pre-Sampling Purge Duration.....	40

4.3.2: Sample Size	41
4.3.3: Post-Sampling Purge Duration	41
4.3.4: Line Conditioning Rinses	42
4.3.5: RECYCLE (Sample Retry).....	43
4.3.6: Consecutive Sampling.....	43
4.4: Sampling Intervals	44
4.4.1: Timed Interval Sampling.....	45
4.4.1.1: Fixed Length Intervals.....	45
4.4.1.2: Variable Length Time Intervals.....	46
4.4.2: Flow Interval Sampling	47
4.4.2.1: Analog Flow Input.....	48
4.4.2.1.1: Fixed Volume Flow Interval	49
4.4.2.1.2: Variable Volume Flow Interval.....	49
4.4.2.2: Pulsing Flow Input	50
4.4.2.2.1: Fixed Pulses Flow Intervals	50
4.4.2.2.2: Variable Pulses Flow Intervals.....	51
4.4.3: Time+Flow Interval Sampling.....	51
4.4.4: Per-Bottle Timed Interval Sampling.....	52
4.4.5: Per-Bottle Flow Interval Sampling.....	53
4.5: Bottle Options.....	53
4.5.1: Composite Sample Containers.....	54
4.5.2: Discrete/Sequential Sample Containers.....	55
4.5.2.1: Bottle Indexing Options	56
4.5.2.2: After Time Indexing.....	57
4.5.2.3: Real Time Indexing.....	57
4.5.3: Installing the Sequential Drive Table (Platinum only).....	57
4.5.4: Removing Sequential Sample Bottles (Platinum only).....	58
4.6: Program Run Options.....	59
4.6.1: Automatic Rerun.....	59
4.6.2: Delayed Start.....	60
4.6.3: Fault/Alarm Option.....	60
4.6.4: Float Option	61
4.6.5: Timed Stop.....	61
4.6.6: Bottle Limit Override	62
4.7: Program Event.....	63
4.7.1: Reviewing Scheduled Events.....	63
4.7.2: Adding and Editing Events	64
4.7.3: Deleting Events	66
4.7.4: Disabling Events	67
Chapter 5: Sampler Operation.....	68
5.1: Ready State	70
5.2: Sampler Conditions	71
5.3: Starting the Selected Program.....	71
5.3.1: Timed-Delay Starting.....	71
5.3.2: Float-Delayed Starting.....	72
5.3.3: Timed Starting	72
5.3.3.1: Timed State	73
5.3.4: Scheduled Starting.....	73
5.4: Running State	74

5.4.1: Sampling Intervals.....	75
5.4.2: Sample Container Screens.....	75
5.4.3: Sampling Cycle.....	76
5.4.3.1: Incomplete Sample Recycling.....	78
5.4.3.2: Manual Sampling.....	78
5.5: Paused and Halted States.....	79
5.5.1: Grab Sampling.....	80
5.5.2: Sample Calibration.....	81
5.5.3: Float Suspended Sampling.....	81
5.6: Stopping the Program.....	82
5.6.1: Continuous Operation.....	82
5.7: Reviewing Archived Data.....	83
Chapter 6: Maintenance.....	86
6.1: Period Maintenance Checklist.....	86
6.1.1: Sample Chamber Removal.....	86
6.1.2: Cleaning the Sample Chamber.....	86
6.1.3: Sample Chamber Installation.....	86
6.1.4: Cleaning or Replacing Wetted Parts.....	88
6.1.5: Sample Chamber Guidelines.....	88
6.1.6: Verifying the Temperature.....	88
6.2: Refrigeration System Maintenance.....	89
6.2.1: Adjusting the Thermostat.....	90
6.2.2: Refrigeration Module Removal.....	91
6.2.3: Refrigeration Module Installation.....	91
6.3: Compression/Vacuum Pump.....	92
6.4: Control System Fuse.....	93
6.5: Optional 230VAC.....	93
6.6: Troubleshooting Tips.....	94
Appendix A: Controller Capabilities.....	96
A.1: Overview.....	96
A.1.1: Overview.....	96
A.1.2: Supervisory Routine (Ready State).....	96
A.1.3: Menu System Outline.....	97
A.2: Inputs and Outputs.....	100
A.2.1: Run-Status Output.....	100
A.2.2: Alarm Output.....	100
A.2.3: Turntable I/O.....	100
A.2.4: Temperature Input.....	101
A.2.5: Flow Input.....	101
A.2.5.1: Remote Sample Initiation.....	101
A.2.6: Float Input.....	102
A.2.6.1: Factory Menu Float Setting.....	102
A.2.7: Liquid Sensor Controller.....	102
A.2.8: Sample Outputs.....	102
A.3: Sampling Program.....	104
A.3.1: CVE Sampling Cycle.....	104
A.3.1.1: Calibrate Menu.....	105
A.3.1.2: Sample Recycling.....	105
A.3.2: Sample Intervals.....	109
A.3.2.1: Variable Intervals.....	109

A.3.3: Bottle Options.....	110
A.3.3.1: Composite Sampling.....	110
A.3.3.2: Sequential Sampling.....	110
A.3.3.2.1: After-Bottle Indexing.....	111
A.3.3.2.2: After-Sample Indexing.....	111
A.3.3.2.3: After-Time Indexing.....	111
A.3.3.2.4: Real Time Indexing.....	111
A.3.3.3: Per Bottle Sampling.....	112
A.3.3.4: Duplicate Sampling.....	113
A.3.4: Delayed Starting.....	113
A.3.5: Timed Stopping.....	114
A.3.6: Schedule Events.....	114
A.3.7: Data Archiving.....	114
Appendix B: Replacement Parts.....	114
Electrical Diagram.....	130

List of Illustrations

Figure 1-1:	Platinum/Optima CVE- Component Locations	13
Figure 1-2:	Sequential-Sampling Turntable and 24-bottle Carousel	18
Figure 2-1:	Flow Input Connections.....	28
Figure 2-2:	Relay Output and Float Input Connections.....	29
Figure 3-1:	User Interface Panel.....	31
Figure 6-1:	Sampler Refrigeration Module.....	93
Figure 6-2:	Refrigeration Module Thermostat.....	94
Figure 6-3:	Platinum/Optima Sampler Pump Compartment	96
Figure 6-4:	Compressor/Vacuum Pump and Service Kit.....	96
Figure 6-5:	Control system fuse holder in open and tripped positions	97
Figure A-1:	CVE Flow Sequencing.....	106
Figure A-2:	CVE Sampling Cycle	107
Figure A-3:	Basic Sample Timing Diagram.....	109
Figure B-1:	Labels and Controller.....	116
Figure B-2:	Exterior Parts and Cooling Module.....	118
Figure B-3:	Inside the Sampler.....	120
Figure B-4:	Sample Chamber WW618	122
Figure B-5:	Pinch Valve WW373.....	122
Figure B-6:	Sequential Turntable Parts.....	124
Figure B-7:	Sequential Bottle Kits.....	125
Figure B-8:	Electrical Components.....	127
Figure B-9:	Electrical Components.....	128

List of Tables

Table 5-1:	User Interface Panel and Icons.....	70
Table A-1:	Available Program Event Types	114
Table B-1:	Labels and Controller.....	117
Table B-2:	Exterior Parts and Cooling Module.....	119
Table B-3:	Inside the Sampler	121
Table B-4:	Sampling Chamber Components.....	123
Table B-5:	Sequential Turntable Parts.....	124
Table B-6:	Composite Bottle Kits.....	124
Table B-7:	Sequential Bottle Kits	126
Table B-8:	Electrical Components	127

Specifications	
Size (H×W×D):	49 x 25.5 x 25.5 in. 124.4 x 64.7 x 64.7 cm
Weight (empty):	97 kg 214 lbs.
Bottle Configurations:	6 configurations available: 24, 1-liter PP 12, 2.5-liter PP 4, 15-liter PP 1, 20-liter PE 1, 10-liter PE or glass
Refrigerator Body:	Molded fiberglass with UV resistant gelcoat
Power Requirements:	115 VAC ±10%, 60 Hz: Running current 12 amperes 230 VAC ±10%, 50 Hz Running current 6 amperes
Installation Category:	II
Pollution Degree:	3
Maximum Altitude	2,000 meters 6,562 feet
Humidity	0 to 100%
Operational Temperature	-29 to 49° C -20 to 120 °F
Tubing	
Intake Suction Tubing Length	1 to 45 m 3 to 150 feet
Material:	Vinyl or FEP-lined polyethylene
Inside Diameter:	3/8 in. 9mm 1/2 in. 12 mm
Maximum Suction Lift	28ft (8.5m) with 3/8 in. (9mm) suction line 22ft (7.0m) with 1/2 in. (12mm) suction line
Typical Repeatability:	±4 ml or ±5%
Typical Line Velocity at Head Height:	3/8 IN. suction line 3ft: 9.84ft/s 10ft: 7.38ft/s 20ft: 4.48ft/s
115VAC/60HZ	
Typical Line Velocity at Head Height: (with the 28 ft. lift Pump)	3/8 inch (9 mm) suction line: 1 m: 2.04 m/s (6.70 ft/s) 4 m: 2.10 m/s (6.89 ft/s) 7 m: 1.52 m/s (4.99 ft/s)
	1/2 inch (12 mm) suction line:

Platinum/Optima CVE Refrigerated Sampler

230VAC/50HZ	1 m: 1.74 m/s (5.71 ft/s) 3 m: 1.60 m/s (5.25 ft/s) 7 m: 1.33 m/s (4.36 ft/s)
Liquid Presence Detector	Wetted Liquid-sensor electrodes.
Controller	
Enclosure Rating:	NEMA 4X, IP66
Program Memory:	Non-volatile ROM (Flash)
Flow Meter Signal Inputs	Pulses (dry contacts) 4-20 mA 0-5 VDC 0-10-VDC
Digital Alarm:	1 output, with 5 alarm configurations.
Number of Composite Samples:	Programmable from 1 to 999 samples.
Internal Clock Accuracy:	1 minute per month at 25°C
Software	
Sample Frequency:	1 to 9,999 minutes, in 1-minute increments. 1 to 9,999 flow pulses.
Sampling Modes:	Constant Time, Constant Volume Variable Time, Constant Volume Constant Flow, Constant Volume Variable Flow, Constant Volume Time and Flow Based Sampling (refer to manual for more info) Incremental Time per Bottle Incremental Flow per Bottle
Programmable Sample Volumes:	20 to 500 ml in 1 ml increments
Sample Recycle (Retry)	If no sample is detected or less than 60% of programmed value collected, recycle activated up to 4 attempts.
Rinse Cycles:	Rinsing of suction line up to 4 rinses for each sample collection.
Controller Diagnostics:	Tests for RAM, load cell error, indexing error. Live diagnostics while sampling.
Refrigeration	
Type:	R134a
Global Warming Potential (GWP):	1430
Charge:	0.284kg
CO ₂ Equivalent:	0.4054t

Typical Operating Pressure, High Side:	1551 kPa
Typical Operating Pressure, Low Side:	807 kPa

Note

The refrigerator contains hermetically sealed fluorinated greenhouse gases. See the Refrigeration section of the Specifications table.

Platinum/Optima CVE Quick Start

At initial power up, the controller displays the Program Ready Screen:

- 1) To run the displayed program, select F1 for RUN. Program timer begins and the program runs as specified.
 - Select F1 to STOP the program at any point of the Program Running mode.
 - Select F1 again to RESET the program and go back to the Pgm. Ready Screen.
- 2) To configure the program settings, select F3 for MENU. Use the arrows to the right of the display to scroll through the programs (1-6). Press F3, or SEL to select the program to configure.
 - Optionally scroll through the Program Configuration (PGM CONFIG) menu using the arrow keys to select which program setting to configure. The following list displays all of the variable sub-settings within each program setting.

PGM CONFIG:

- Cycle: Set the sampling parameters here.
 - PREPURGE: Enter the number of seconds (0-99) for the system to purge the intake lines prior to sampling. Then press F3 to accept.
 - SMPL SECONDS: Enter the maximum number of seconds to draw the sample into the chamber. If no sample enters the chamber increase the time. Then press F3 to accept.
 - POSTPURGE: Enter the number of seconds (10-99) for the system to purge the intake after the sample is taken. Press F3 to accept.
 - NUM. RINSES: Enter the number of times (0-4) the intake line should be rinsed, prior to each sample. Press F3 to accept. Warning: when entering rinse/vacuum time, ensure that the sample does not reach the sampler during the rinse cycle.
 - PRESSURE TIME: This menu item displays only if the Number of Rinses is not zero. Type in the number of seconds (0-99) each rinse should pressurize the sampler chamber. Press F3 to accept.
 - VACUUM TIME: Enter the number of seconds (0-99) each rinse should generate suction. Press F3 to accept. **(Do not allow the sample to enter the sample chamber)**
 - RECYCLE: Use up and down arrows to enable or disable the sample retry feature, or press F3 to accept the setting. When the recycle feature is enabled, the sampler makes a second attempt to take the sample, if it failed to collect a sample on the first try.

- CONSECUTIVE SMP: To draw just one sample per interval, type 1 and press F3 to accept.
 - Smpl. Interval
 - SMPL. INTERVAL: Press F3 to select the Sampling Interval setting. Use the up and down arrows to scroll through the options and select F3 to accept. Generally, the sampling interval is a set time, in between samples.
 - TIME OPTION: Use the up or down arrow keys to scroll to the desired option (e.g. Time Fixed). Press F3 to accept.
 - SMPL MIN: Use the keypad to enter the desired Sampling Time Interval or leave as is, then press F3 to accept.
 - Bottle Opts.
 - SAMPLE TYPE: Use arrows to scroll and press F3 to select Composite or Discrete/sequential sampling. If Discrete sample type was selected, the next menu is BOTTLE CONFIG. Use the arrows to scroll to the desired bottle configuration that is installed in the sampler, then press F3 to select.
 - NUM. BOTTLES: Enter the number of bottles that you want to use, otherwise press F3 to accept the default setting to use all the bottles.
 - SMPLS/BOTTLE: Enter the number of samples that you want to collect in every bottle. The maximum number of samples per bottle is defaulted; press F3 to accept this setting.
 - INDEX TYPE: Use the arrows to scroll to the desired indexing type. The “After Bottle” setting is defaulted, which tells the program to rotate to the next bottle, once all of the specified samples are discharged into the current bottle. Press F3 to accept this setting.
- 3) After entering these settings, the screen will return to the PGM CONFIG menu, signifying that the program setup is complete. If you do not wish to enable any PROGRAM RUN OPTIONS (see manual for more detail), press F1 twice to return to the Program READY screen.
 - 4) Press F1 to begin the program. If discrete sampling is selected, the first sample will be taken once the turntable reaches the home position (bottle #1).

IMPORTANT: Do make sure that the discharge tube is directly above bottle 1 when the table finds the home position and stops. Failure to do this may result in spilling of the sample.

Calibration:

- 1) To properly calibrate the volume prior to running a program, you must go to MAIN MENU and scroll to find the CALIBRATE menu item. Press F3 SEL to select the menu item.
- 2) Calibrate #1 is displayed, press START (F3) to take a calibration sample. Discard the sample or proceed to Calibrate #2. There is a maximum of 3 Calibration iterations. When calibration is done exit the calibration menu.
- 3) Discard the calibration samples and press HOME (F1) to go to Program Ready Screen.

Grab Sampling:

- 1) A Grab sample (volume test sample) can be taken at any time while the program is running.
- 2) When the program is running, push PAUSE (F3). Then push GRAB (F2) to enter grab mode.
- 3) Grab Smpl Size: The current sample volume will be populated unless the sample intake tube is adjusted.

Velocity Control Valve adjustment instruction:

- 1) Close the bleed valve all the way (clockwise) if lift height is greater than 3 meters.
- 2) Open the bleed valve all the way (counterclockwise) if lift height is 1 meter or less.
- 3) If the lift height is between 1 and 3 meters, close the bleed valve all the way, then open two complete rotations. The sampler is always shipped at this setting.

Chapter 1: Introduction

Refrigerated CVE Samplers collect specified volumes of wastewater at programmed time or flow intervals and deposit them into refrigerated composite or sequential sample containers. Their piston or diaphragm vacuum pumps provide long-term consistent sampling with vertical lifts of up to 28 feet.

The refrigerated samplers are available in three different configurations, each of which uses either the all-fiberglass Platinum/Optima cabinet or the slightly larger cabinet for the dual sampler.

- Dual Samplers house two independent sampling systems in a single Premium cabinet, but both cannot be equipped with large-container sequential carousels (two 24 x 500 milliliter carousels will fit, or one 24 x 500 ml carousel paired with a composite container).
- The slightly-smaller Platinum/Optima cabinet has a fiberglass lower shell, which can accommodate all but the largest of our sample container systems. If you have any questions or suggestions, feel free to call Teledyne ISCO at 1-800-228-4373.

1.1 Features

The Platinum/Optima CVE sampler features are identified in Figures 1-1, through 1-3 and described in table 1-1.

Table 1-1	CVE-16 Sampler Features
1.	Control Panel Cover
2.	Control Panel
3.	Discharge Tube
4.	Sample Chamber
5.	Bottles
6.	Sequential Table
7.	Refrigerator Door
8.	Door Latch
9.	Level Adjustment Feet
10.	Liquid sensor
11.	Lower Back Cover
12.	External Device Connector (4pin)
13.	Refrigeration Module
14.	AC Main Line Cord
15.	Sample Line Intake
16.	Air Vents
17.	I/O Connections (7 pin)
18.	Top Back Cover

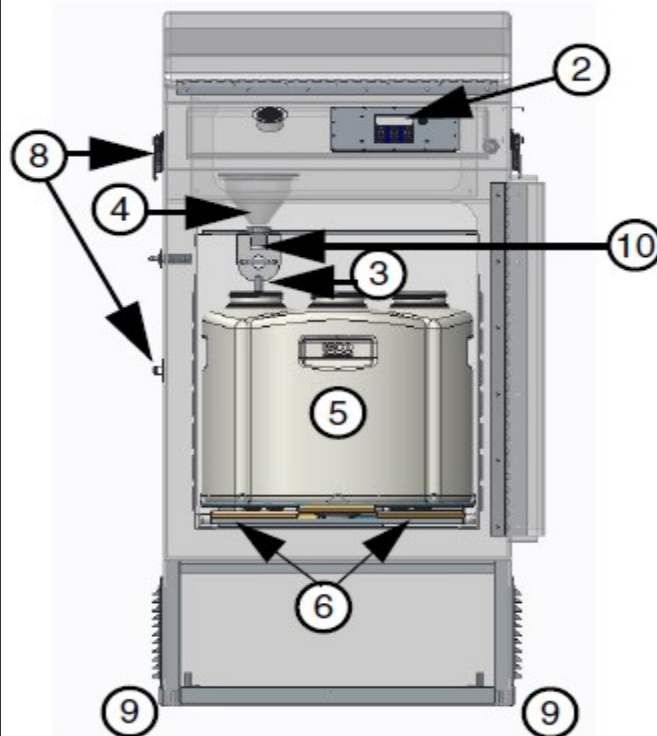


Figure 1-1 Platinum/Optima/CVE sampler features

(Front)

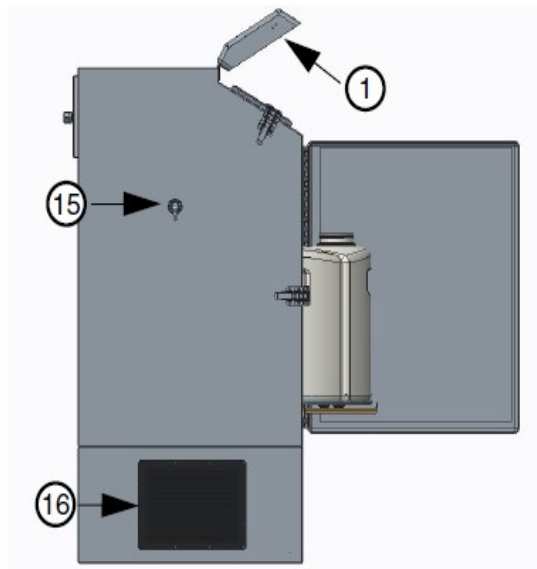


Figure 1-2 Platinum/Optima/CVE sampler features (left side)

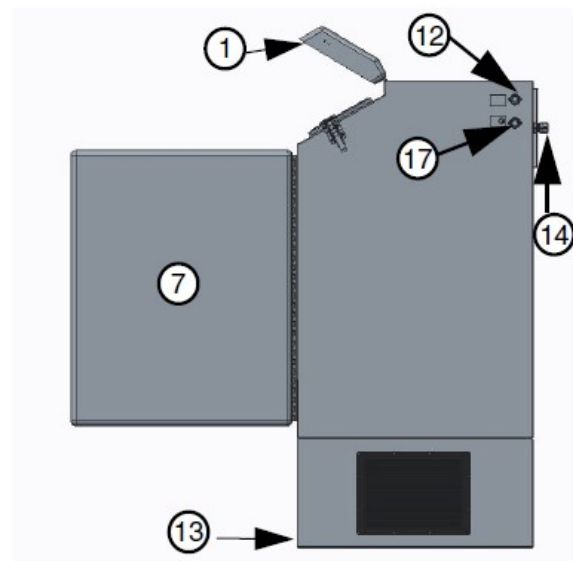


Figure 1-3 Platinum/Optima/CVE sampler features (right side)

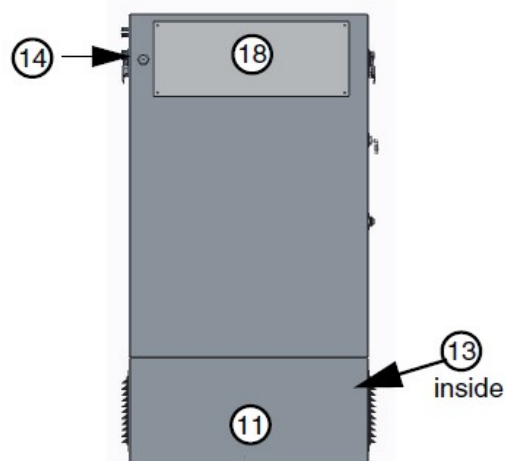


Figure 1-4 Platinum/Optima CVE sampler features (back)

Table 1-1 Platinum/Optima CVE Features		
Item	Name	Description
1	Control Panel Cover	Protects the control panel display and keypad. Can be locked with user supplied padlock.
2	Control Panel	Supports user control and programming of sampler operation.
3	Discharge Tube	Carries liquid to the sample bottle.
4	Sample Chamber	Sample is measured and collected in the chamber then discharged into sample container

Table 1-1 Platinum/ Optima CVE Features (Continued)

Item	Name	Description
5	Bottles	Hold the collected samples.
6	Sequential Table	Rotates the bottles.
7	Refrigerator Door	Protects the collected samples inside the refrigerated compartment.
8	Latch	Secures the door. The latch mechanism may be locked with a user supplied padlock.
9	Level Adjustment Feet	The sampler includes four level adjustment feet, one at each corner. Use these to keep the sampler leveled.
10	Liquid Detector	The liquid-sensing electrodes detect fluid in the sample chamber.
11	Lower Back Cover	If you must lift the sampler, lift with caution with the door closed and latched. Recommended to use a lifting device.
12	External Device Connection	Supports connections to external devices such as a flow meter for sample pacing or 4-20mA
13	Refrigeration Module	Modular, corrosion-resistant refrigeration assembly cools the refrigerated compartment to a user selected Temperature of 2 to 5°C (35 to 41°F).
14	AC Mains Line Cord	Connects to AC power source.
15	Sample Line intake	The sample intake line connects here.
16	Air Vents	Refrigeration air vents
17	Aux. Outputs	Alarm, Fl. Start, Fl. Start/Stop, Run Status
18	Top Back Cover	Access to the vacuum pump, fuses, and electrical components.
19	Lifting the Sampler	If you must lift the sampler, lift with caution with the door closed and latched. Recommended to use a lifting device.

1.3: Physical Description

The components of each refrigerated sampler are mounted in a two-part housing designed to withstand outdoor weather conditions:

- The insulated, temperature-controlled fiberglass upper shell houses the sample collection, sampling control and sample storage systems.
- The (fiberglass or stainless steel) lower shell houses the temperature control system.

1.3.1: Temperature Control System

The lower shell contains a refrigeration module with a digital thermostat and optional cold-climate heating element. It draws air from the back of the sample compartment, measures its temperature as it enters the module, cools (or heats) it, and then returns it via ducts in the floor and sides of the upper shell:

- The thermostat is factory set to maintain the stored samples at $2.5 \pm 0.05^\circ\text{C}$ ($36.5 \pm 1^\circ\text{F}$), but that set point can be changed if a different temperature is desired or if the actual temperature drifts due to calibration errors (Chapter 6.2.1).
- The refrigeration module can be removed for servicing through an access panel on the back of the lower shell (Chapter 6.2).

1.3.2: Sample Collection Systems

The sample collection system has the following major components:

- A clear plastic **sample chamber** with **velocity-limiting** and discharge-tube **pinch valves**.
- A **liquid-sensor** that signals the controller when the sample chamber is full.
- A piston or diaphragm **air compressor/vacuum pump** connected to that chamber by a four-way **solenoid valve**, which alternately evacuates and pressurizes the sample chamber in order to draw wastewater in and force it back out.
- A pump discharge pressure regulator and intake velocity-limiting valve.
- A 3/8 inch clear **stream sampling tube** that extends to the sampled wastewater stream.

The sample chamber and liquid-sensor are mounted in the **sample compartment**, which also houses the sample storage system, occupies most of the upper shell, and is accessed through the unit's front door.

The pump, solenoid valve and pressure relief valve are mounted behind the upper-rear access panel, in a smaller **pump compartment** that also houses the step-down transformer and fuse for the control system (see Figure 6-3 Chapter 6.3.). That compartment can also be equipped with an optional thermostatically controlled cold-climate heating element in order to minimize condensation in the lines connecting the pump to the sample chamber.

1.3.3: Sample Storage Systems

Refrigerated Samplers can be purchased with either composite or sequential sample storage systems, which are installed in their sample compartments, accessed through their forward hatches, and can be supplied with a range of container options:

Composite-storage systems deposit all samples into a single large container.

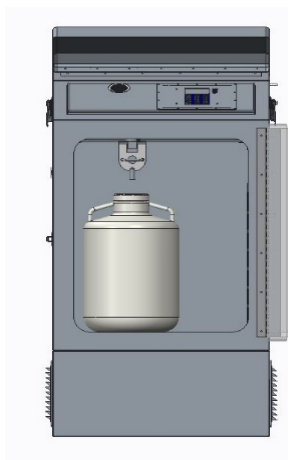


Figure: 20 Liter PE Bottle

If your sampler is configured for composite sampling, simply place the discharge tube in the

center of the sample bottle. Refer to the instructions for your bottle size.

1.2.3.1: 10 liter or 20 Liter Bottle Installation without indexing turntable

- 1) Remove cap and position the bottle under the discharge tube. Install discharge tube if needed.
- 2) Go to BOTTLE OPT. in the program menu and select COMPOSITE. Then select the correct bottle size.

Note

Note: The composite containers are not designated to be used in the sampler along with the sequential table installed. If switching from sequential to composite sampling, the sequential turntable will need to be removed by removing the fastening screws and the table connector. In Bottle Opt. under the program menu, select Composite sampling.

Sequential Storage systems have multiple sample bottles (usually two, four, twelve or twenty four) sitting on a turntable-mounted carousel, which are rotated under the sample chamber and filled as specified by the sampling program.

Each program can be set to discharge one sample into each bottle, then a second sample into each, and so on—stopping after each bottle has received the specified number of samples; or the specified number of samples into the first bottle, the same number into the second bottle, and so on—stopping after the last bottle has been serviced.

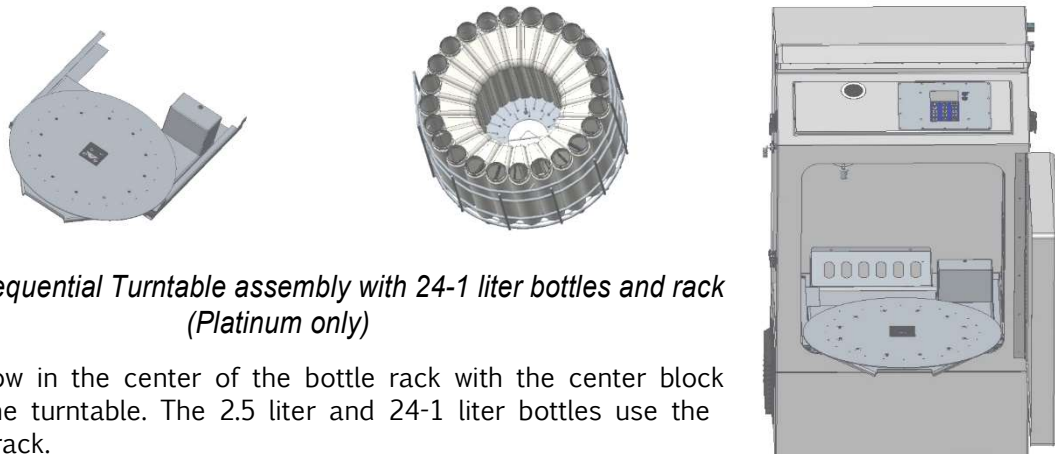


Figure 1.2: Sequential Turntable assembly with 24-1 liter bottles and rack (Platinum only)

Align the arrow in the center of the bottle rack with the center block located on the turntable. The 2.5 liter and 24-1 liter bottles use the same bottle rack.

1.2.3.2: Install Bottle Configuration: 24-1 Liter

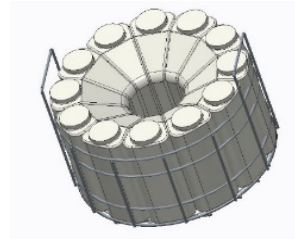
The 24 bottle configurations use a rack to hold and align the containers. To install the bottles in the refrigerator using the rack:

- 1) Place the uncapped bottles into the rack. Install the bottle retaining ring in the center of bottles using the 3 bungee cords.
- 2) Pull the sequential table forward. **(Platinum only)**
- 3) Locate the arrow in center of the rack and align it with the center block located on the turntable.
- 4) Roll the sequential table back into the sampler. **(Platinum only)**
- 5) Activate the program to RUN and the table will turn to locate Bottle 1. After the table has stopped make sure the discharge tube is centered in the bottle. If the discharge tube is not centered, rotate/adjust the discharge tube to the center of the bottle.

1.2.3.3: Install Bottle Configuration: 12-2.5 Liter

The 12 bottle configuration uses a rack to hold and align the bottles. To install the bottles into the sampler:

- 1) Place the uncapped bottles into the rack.
- 2) Roll the sequential drive out. (Platinum only)
- 3) Locate the arrow in center of the rack and align it with the center block located at the center of the drive table.
- 4) Roll the sequential table back into the sampler. (Platinum only)
- 5) Activate the program to RUN and the table will turn to locate Bottle 1. After the table has stopped make sure the discharge tube is centered in the bottle. If the discharge tube is not centered, rotate/adjust the tube to the center of the bottle.



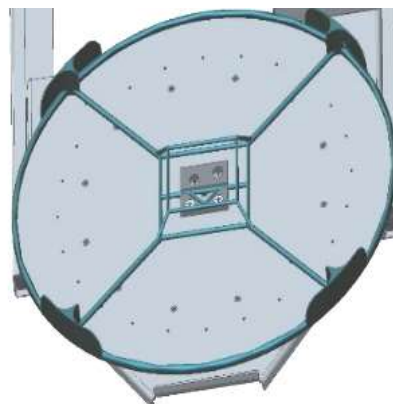
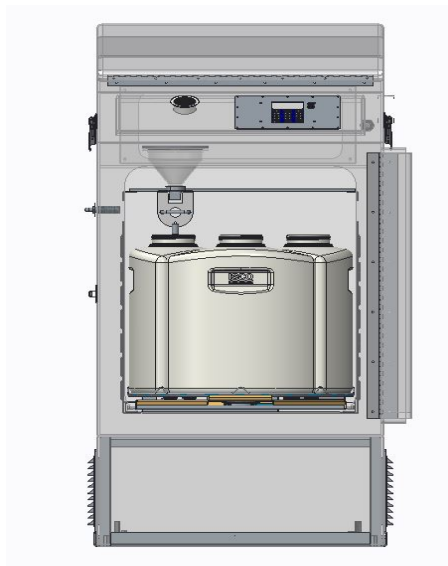
Note

Note: Make sure that in the program settings under BOTTLE OPT. the Sample Type is set to Discrete and the proper bottle configuration is selected.

1.3.3.1: Install Bottle Configuration: 4x15Liter Bottles

To install the rack and bottles: (Platinum only)

- 1) Pull the sequential table forward.
- 2) Place the four bottles on the sequential table using the alignment rack to position the bottles. Remove the bottle caps.
- 3) To load or unload the sample bottles, there is a table jog feature. When the program is not in the run mode, the jog feature is available by pushing the 0 button on the keypad. The table will jog 90° and move to the next bottle, each time the 0 button is pushed.
- 4) When the bottles are loaded, slide the sequential table back into place.



Sequential Table with bottle rack

1.2.4: Removing Sequential Sample Bottles (Platinum only)

After the program is complete, remove the bottles and prepared them for the laboratory.

- 1) Gain access to the bottles by releasing the door latch and swinging the door open.
- 2) The bottles can then be removed from the rack by sliding the sequential table forward until it stops.
- 3) Lift the bottle rack and remove it from the sampler. *Rotate the distributor tube out of the way if needed.

Jog Feature: When the program is in the DONE or STOP mode the sequential table has a jog feature that allows the table to rotate 90°. This feature will allow easy access to the sample bottles when loading or unloading the bottles.

To activate the jog feature:

- 1) Push the 0 button and the table will jog 90°.
- 2) When the bottles have been installed, slide the table back in the refrigerator. Align the discharge tube (if adjustable) to the center of bottle 1 after the indexing table has located bottle 1.

Removed bottles should be capped and labeled according to the protocol established by your laboratory.

1.3.4: Sampling Control System

Each sampler has a single sampling controller, while the Dual Model is equipped with two. Each is mounted in a sealed **controller compartment** beneath the unit's user interface hatch, and includes **logic** and **power** circuit boards that collectively provide:

- a 32-bit microcontroller that can run any of six **sampling programs**
- a **backup battery** that powers the microcontroller's **real-time clock** but not its field elements (thus precluding continued sampling) when external power is unavailable
- the onboard **user interface**
- a variety of discrete and analog **inputs and outputs** (see next page)
- **SDI-12 communication interface** for the liquid-sensor.

1.3.4.1: User Interface Panel

Each controller's heated LCD readout and password-protected keypad are located behind the sampler's upper-front hatch. They are used to:

- adjust the clock and the LCD brightness/contrast, and administer the access passwords and archival data (see Chapter 3).
- configure the sampling programs (see Chapter 4).
- monitor and control the unit's operation (see Chapter 5).

1.3.4.2: Inputs and Outputs

Each controller's logic board supports a variety of field input and output signals, some of which are wired directly to logic board connectors while others are routed through additional circuitry and connectors on the power board:

- All of the controller's required and optional inputs and outputs are described in detail in Appendix A.
- Those circuits, and the circular plastic connectors (CPCs) to which the corresponding field devices must or can be wired, are shown on the Electrical Diagram appended to the back of this manual.
- Instructions for connecting your field devices to the controller's external CPCs are provided in Chapter 2.

1.3.4.3: Sampling Programs

Each control system provides six user-configurable sampling programs, one of which is selected and can be run at any given time. Each of those programs can be configured to:

- Draw configurable, fixed-size (20 to 400 milliliter) samples, or sets of consecutive samples, at specified time or flow intervals.

Flow intervals can be based on either an analog or a discrete-pulse flow meter signal, or a PLC or other remote device could use the pulsing flow input to trigger individual samples.

- Rinse the sampling line up to four times prior to drawing each sample.
- Repeat any sampling cycle up to four times (five total) if needed to collect the specified volume of wastewater.
- Discharge each sample into a specified sequential-sampling bottle (if so equipped).
- Delay its execution a specified number of minutes after it is started, or until the optional float input is asserted.
- Automatically stop after a configurable amount of time or number of samples, or if the full bottle switch is activated.

AND/OR

Suspend and resume sampling as an external float switch opens and closes.

Alternately, a PLC or other remote device could use the external float-switch input to remotely suspend and resume the collection of samples.

- Start sampling, pause or halt and later resume, take manual samples and finally stop at scheduled times on specified days of the week, then automatically restart itself if desired.
- Energize a run-status relay to indicate a sample is being collected, or an alarm relay to indicate the program has stopped or encountered a fault condition.

Appendix A: Controller Capabilities discusses the configurable features of the sampling program, while Chapter 4: Sampling Program Configuration tells how to view and change the parameters that configure those features.

Chapter 2: Installation

The refrigerated samplers are meant to be used in fixed locations, with any optional external I/O devices connected, the far ends of their sampling lines fixed in the waste streams they are to sample, and their power cords plugged into alternating-current power receptacles.

When you are ready to install your sampler:

- 1) Move it to its intended final location, remove its protective packaging, lift it from its shipping pallet and set it in its intended position.
1. Adjust the feet so the sampler is approximately level.
2. Install the wastewater intake line(s) and strainer(s).
3. Connect any external I/O devices (flow and/or float inputs, run and/or alarm outputs).
4. Plug the provided power cord into a grounded AC power receptacle.
5. Verify or correct the clock settings (Chapter 3.2.3).
6. Configure the sampling program(s) to your needs (Chapter 4).
7. When lifting small samples, you may need to adjust the velocity control valve (Chapter 2.3).

2.1 Positioning the Sampler

There are a few considerations when selecting a site for the sampler. The foremost concern should be personal safety.

The installation and use of this product may subject you to dangerous working conditions that can cause you serious or fatal injuries. Take any necessary precautions before entering the work site. Install and operate this product in accordance with all applicable safety and health regulations, and local ordinances.

The refrigerated samplers can be installed in nearly any indoor or outdoor locations. Make sure the sample lift does not exceed 28 feet. Keep in mind the sample hose will be about 4 feet above the surface the sampler sits on.

You should provide at least 8 inches of clearance to each side of the cabinet (for cooling air flow and electrical and sample line clearance). As little as 2 inches of rear clearance is sufficient, although servicing the refrigeration unit would then require you to move the unit forward to provide 3 feet of clear space. Anything mounted over the sampler should be at least 5 feet above the floor.

If lift trucks and/or other moving equipment are frequently operated in the selected area, you might want to install protective barriers to keep them from running into the sampler.

 **WARNING**

If this product is used in a manner not specified in this manual, the protection provided by the equipment may be impaired.

 **WARNING**

This product has not been approved for use in hazardous locations as defined by the National Electrical Code.

 **WARNING**

When lifting, use a two-person lift from the right and left sides. Where possible, move the sampler using a two-wheeled hand cart from the side. To prevent damage to the refrigeration system, do not tip the sampler more than 45°.

Dangerous locations – If you must enter a manhole, confined space, or other dangerous location to install the suction line and strainer, observe standard safety precautions. Refer to Appendix B of the Installation and Operation guide for a discussion of safety considerations.

Support – The sampler should be installed on a surface capable of safely supporting the sampler, full liquid containers, and personnel.

AC Power – The mains line cord is the disconnect device should you need to remove power. Therefore, the electrical power outlet should be accessible.

Environmental – The sampler is designed for outdoor use. Refer to Table 1-2 for environmental specifications. When possible, avoid subjecting the sampler to chemical attacks and direct sunlight.

Avoid submersion – Although the control panel will resist damage (rated NEMA 4x) the refrigerator system and bottle compartment cannot prevent liquid from entering. In the event of submersion, liquid entering the refrigeration system could permanently damage the sampler; liquid entering the bottle compartment could contaminate the collected samples. Liquid entering the electrical compartment for the refrigeration system could result in a short circuit and possible shock hazard.

Liquid sample collection point – It is best to keep the distance between the sampler and the collection point as short as possible. The sampler inlet should be located above the liquid surface to be sampled with no liquid traps. Gravity will aid suction line rinses and allow the line to drain, thereby reducing the possibility of sample cross-contamination..

Security – The sample compartment and control panel have a padlock feature, but the location may need additional security to prevent tampering or vandalism.

Accessibility – The sampler must be installed in a location where personnel can easily exchange bottles and perform routine service.

The sampler requires about 2600 square centimeters (925 in²) of floor space. Additional space must be allowed in front of the sampler, at its left and right sides, and above the sampler. Do not block access to these areas. Obstructions will make routine servicing activities difficult or impossible.

The back of the sampler may be placed against a wall as long as air from the side vents are unrestricted air can flow freely. Unrestricted air flow behind and around the sampler will allow the refrigeration system to work efficiently.

Level surface – The sampler should be placed on a level surface and the feet on the refrigerator body should be adjusted to prevent tipping or spills. If the sampler is not level, the sample liquid may miss the bottle mouth. To level the sampler, place a bubble level on the top of the refrigerated compartment.

 **CAUTION**

Do not tip the sampler on its side or back. Tipping the sampler more than 45° might cause the oil to run into the compressor inlet, which can permanently damage the refrigeration system.

2.1.1 Connecting Power

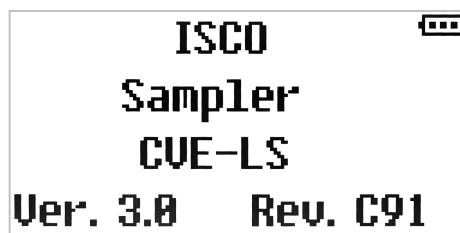
**WARNING**

Before connecting the sampler to an AC power source, be familiar with the Electrical Requirements.

The factory assembles the sampler for 115 VAC/60Hz, or 230 VAC/50Hz. The serial number label located inside the control cover identifies the AC power configuration of your sampler. You cannot convert the sampler in the field.

The mains power cord for 115 VAC samplers is equipped with a NEMA 5-15P plug for standard North American outlets. The mains power cord for 230 VAC samplers is equipped with an EU-16P plug for standard CEE-7 European outlets. For other types of outlets that supply compatible AC power, convert the mains power cord plug with a locally-purchased adapter.

Plug the mains power cord into the outlet. The sampler control panel will briefly show this start up display:

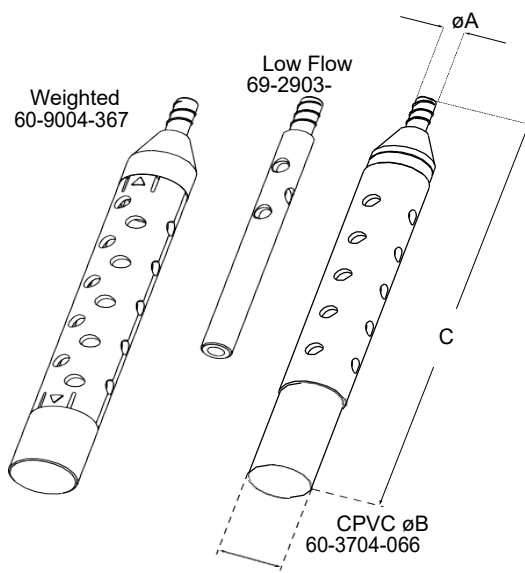


```
ISCO
Sampler
CVE-LS
Ver. 3.0  Rev. C91
```

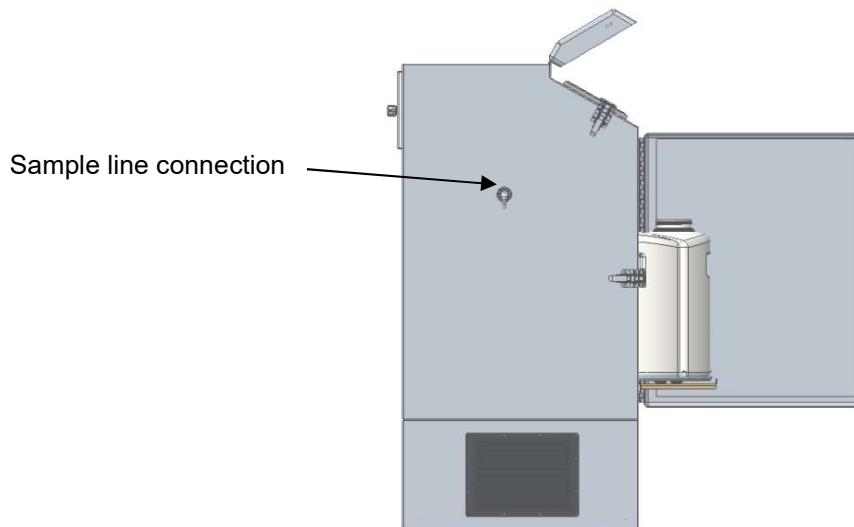
2.1.2 Hydrogen Sulfide Exposure

Although the copper tubing in the refrigeration units is coated to resist hydrogen sulfide (H₂S) corrosion, the H₂S gas present in some areas of a wastewater treatment facility can still create pin-hole leaks after as little as a year or two of exposure. Therefore, you should **select an installation location where the concentration of that gas is as low as possible**. Because H₂S is heavier than air, higher elevation locations are favored, as well as areas with adequate air circulation.

2.2: Sampling Line Connection



The wastewater inlet connection is a 1/2 inch FNPT fitting recessed into the left side of the upper shell (Dual Models have one on each side). The sampler inlet fitting is on the left side of the samplers. The sample line is 3/8" x 5/8" (I.D. x O.D.) or 1/2" and 3/4" clear PVC tubing which is connected to the 1/2" (stainless steel or plastic) right-angle barbed fitting.



To attach the strainer to the suction line, carefully screw the strainers threaded connector into the suction line. If attaching the strainer to an FEP-lined suction line, heat the suction line end before threading the strainer into the line. **Warming FEP-lined tubing will make it more pliable to avoid damage. Slide a short piece of silicone tubing over the inlet fitting and install a hose clamp. Push about 20 mm of the PTFE-lined suction line into the end of the silicone tube and clamp.**

⊘ *The CVE vacuum system cannot be used to sample pressurized wastewater streams, or open streams whose surfaces are higher than the sampler. Attempting to do so could flood the sampler with water.*

Alternative to Strainers

When sampling from high velocity streams with heavy suspended solids, some field investigations suggest that more representative samples are obtained without the strainer. Consider attaching a short piece of thin walled aluminum tubing to the end of the suction line; anchor the tubing so that the inlet opens upstream. The aluminum tubing's thin wall will not disturb the flow stream, and most sample analyses disregard aluminum ions. Under most conditions, a pre-sample line rinse removes any debris over the tubing entrance.

Maximum Unanchored Length

During a pre or post-sample purge or line rinse, the suction line is filled with air which might cause the suction line and strainer to float. If the length of the suction line and strainer exceeds the listed value, securely anchor the strainer.

Even if the maximum length is not exceeded, it is a good idea to anchor the suction line and strainer when sampling from high velocity or turbulent flow streams.

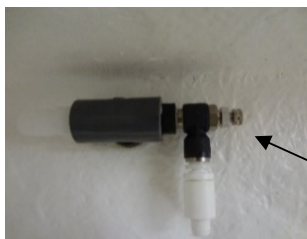
Routing the Suction Line and Strainer

Route the suction line so that it has a continuous slope from the liquid source to the sampler. This helps to drain the line during pre and post-sample line purges and rinses. If a suction line exposed to freezing climates does not fully drain, there is a risk of liquid in the suction line becoming frozen. Frozen liquid will cause the sample collection to fail. A warm sampling source can usually prevent this, provided there are no traps or low spots in the suction line. Some extreme situations may require more protective measures, such as insulating the suction line or applying heat tape.

For representative samples, place the strainer in the main current of the flow stream, not in an eddy or at the edge of flow. Placing a strainer at the bottom may produce samples with excess heavy solids and no floating materials, while placing it at the top may produce the opposite conditions.

2.3: Velocity Valve adjustment

The velocity control valve adjustment is to control the inlet velocity of the sample. The valve is located inside the refrigerator on the upper right side of the sample chamber and can be adjusted by rotating the stainless steel knob.



- If the lift height is between 1 and 3 meters, close the valve all the way (rotate clockwise), then open two complete rotations (rotate counterclockwise). The sampler is shipped at this setting
- Close the valve all the way if the lift height is greater than 3 meters.

Velocity control valve

⊗ *Do not adjust the velocity control valve while the sampling program is running!*

2.4: Field I/O Connections

Circular plastic connectors (CPCs) are mounted in the upper right side of Platinum/Optima and Dual (both sides of Dual) cabinets for the field I/O devices:

- a four-pin flow inputs connector (analog and/or pulsing-discrete signals)
- seven-pin field I/O connector (alarm and run output and float input signals)

Custom cables must be fabricated (from the provided matching screw-terminal cable connectors) for any you chose to use.

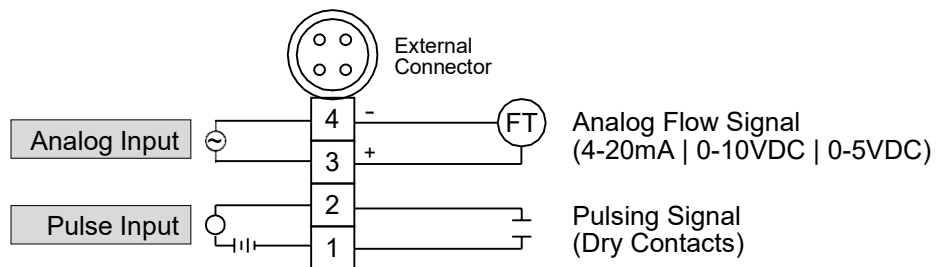
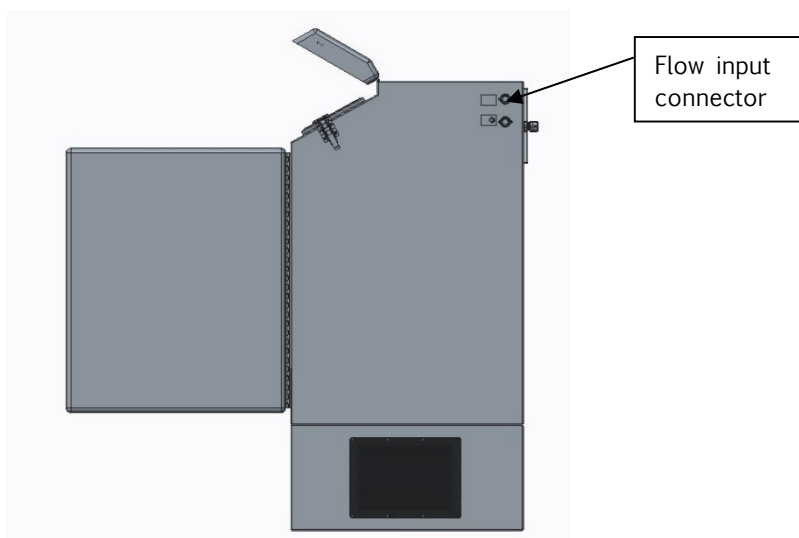


Figure 2-1: Flow Input Connections

2.4.1: Flow Inputs

The four-pin flow input connector provides field wiring terminals for pulse and analog flow input signals, either of which can be connected and used to trigger sample collection at configured stream flow intervals (Chapter A 2.6).

- If that feature is configured for a pulsing input, connect a dry-contact signal source to input connector pins 1 and 2. The interval pulse count will be incremented each time that controller-powered circuit is externally closed.
- ✎ *To adapt this input to an externally-powered discrete signal, connect it to the normally-open contacts of an interposing relay and use that signal to energize the relay coil.*
- If that feature is configured for a 4-to-20 mA, 0-to-5 V or 0-to-10 V analog flow signal, connect the transmitter's positive (+) and negative (–) terminals to input connector pins 3 + and 4 –, respectively.



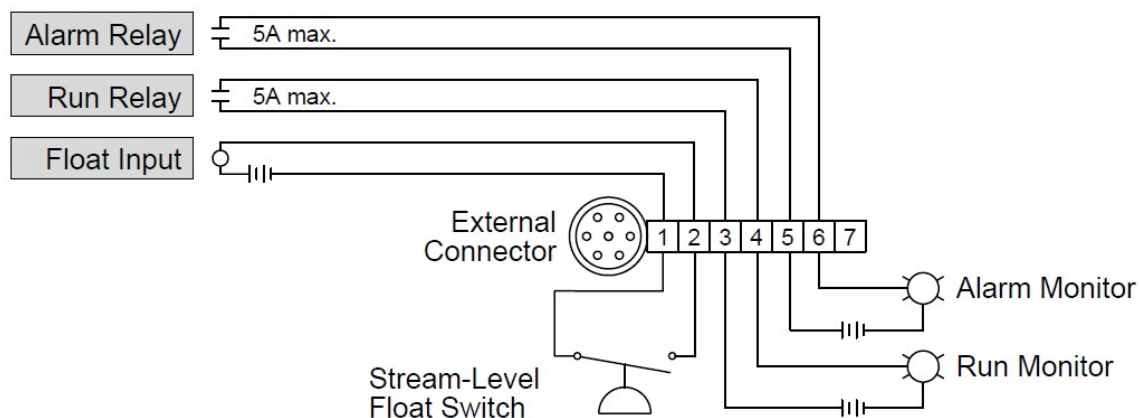


Figure 2-2: Relay Output and Float Input Connections

2.4.2: Relay Outputs

As shown above, four of the optional field I/O connector’s seven pins connect to 5 Amp relay contacts on the controller’s power board:

- The run-status relay connects pins 3 and 4 when the unit is sampling.
- The alarm/fault relay (if enabled, Chapter 4.6.3) connects pins 5 and 6 when sampling is stopped or certain non-fatal fault conditions are detected (Chapter A 2.2).

They can thus be used to turn appropriate *externally-powered* indicator lamps or annunciators on and off, or to signal those conditions to a SCADA or other host control system.

I/O Connector (7 pin)			
Pin	Wire Color	Signal Name	Parameters/ Comments
1	Orange	1.Float Start or 2.Float Start/Stop	Dry contact 1 .Closed contact to initialize program start. OR 2. Closed contact to start the program and open contact stops the program.
2	Orange	Float Start or Start/Stop	
3	Blue	Run Status	Relay contact 250V 5 amp rated, closed contact during sample cycle
4	Blue	Run Status	
5	Red	Alarm	Relay contact 250V 5 amp rated, closed contact during a fault condition or program done
6	Red	Alarm	

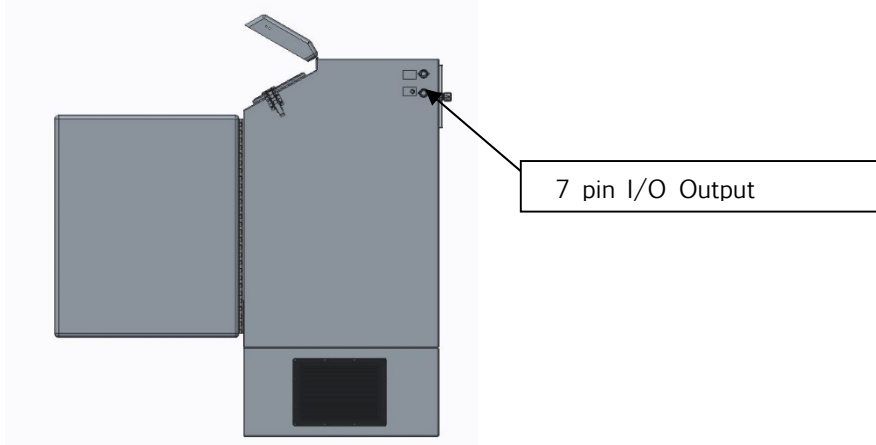
2.4.3: Float Input

Pins 1 and 2 (orange wires) of the seven-pin field I/O connector, which are internally wired to the controller's self-powered float input, can be used to externally connect a dry-contact, normally-open, minimum-stream-level float switch.

Depending on which of the Float Input options has been factory-configured (Chapter A 2.6) enabling this input (Chapter 4.6.3) will configure the sampling program to delay sample collection until that circuit closes and subsequently either:

- continue sampling even if the float circuit reopens, or
- toggle the collection of samples on and off as the rising and falling stream level closes and opens that circuit.

Due to the large variety of suitable stream-level sensors that are available, contact Teledyne ISCO for which sensor is most suitable for your application.



Chapter 3: User Interface Panel

Each sampling system's operation can be configured, monitored and controlled using its user interface panel, which consists of a heated LCD readout and password protected keypad located behind the upper-front door.

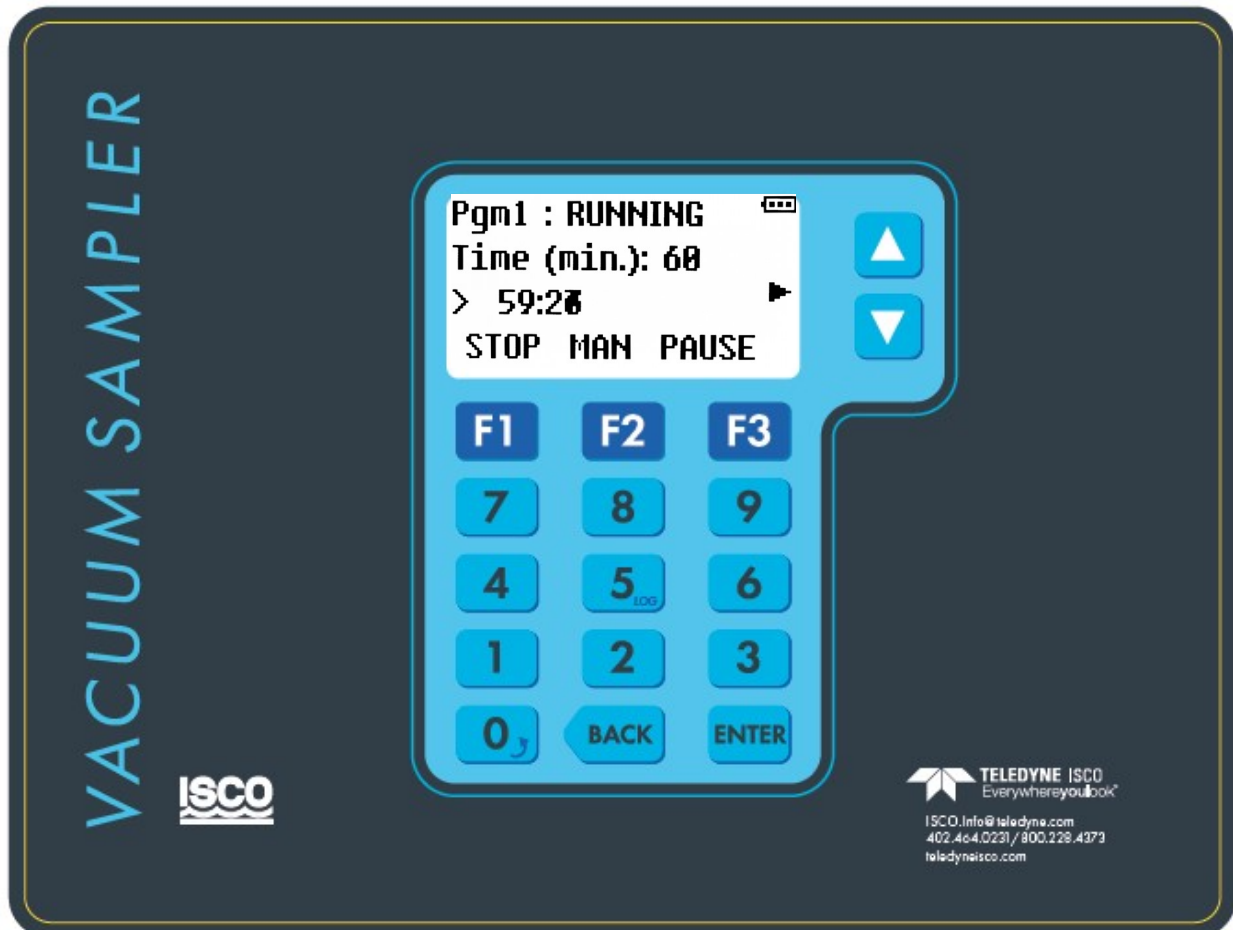


Figure 3-1: User Interface Panel

Its LCD readout displays the identity of the selected sampling program, which the operator can start and stop or pause and resume (see Chapter 5: Sampler Operation). It displays four lines of alphanumeric text, plus a column of status icons that might appear along its right edge:

- The top line identifies and displays that program's operating state. The second and third lines display sets of status information, which you can cycle through by pressing the UP and DOWN keys to the right of the LCD.
- The bottom line indicates the functions (if any) of the top three keys (F1, F2 and F3).
- Various status icons (see Table 5-1 Chapter 5) are displayed along the right edge of the readout (as you face it).
- *The display panel backlight will automatically turn off if no keyboard activity has been detected in the last two minutes. Pressing any key will then turn it back on.*

Control Buttons		
Icon	Name	Functional Description
F1	HOME	Go to home screen
	RUN	Start the program
	STOP	Stop the program
	RESET	Reset the program
	ESC	Go back to previous menu
	YES	Accept
F2	MAN	Manual sample
	TIMED	Set a timed delay
	GRAB	Grab sample
	BACK	Go back in the program
	MORE	See more detail in log file
F3	MENU	Go to menu
	SEL	Select
	PAUSE	Pause the program
	RESTART	Restart a program
	START	Initiate sample
	DETAIL	View log detail
	CONTINUE	Continue program
	NO	Reject
Back		Press this button to back one space when entering a number.
Enter		Press this button to enter a number.
0-9	Keypad	Keypad enter number's

3.1 : Menu System

The control system is set up and administered via a hierarchical menu (Appendix A.1.2) accessed by pressing the F3 key when the prompt above it reads “MENU”. If the administration password (Chapter 3.3.2) has its default value (0), the first Main Menu option will then be displayed:



If that password has a non-zero value, the Password entry screen will appear instead. Like many other menu screens, it assigns the HOME, BACK and SEL functions to the F1, F2 and F3 keys:

- Pressing HOME [F1] generally displays the parent menu for the current screen. If you are editing settings, any changes you have made to the current parameter will not be saved.
- Pressing BACK [F2] or the **Back** (bottom row, center) key generally restores the previously-displayed screen or, if you are editing numerical parameter values, backspaces over the most-recently typed digit.
- Pressing SEL [F3] or the **Enter** (bottom row, right) key generally displays the next parameter or screen in a sequence. If you are editing settings, any changes you have made to the current parameter is saved.

In this case, pressing HOME [F1] would restore the operating state display (as would BACK [F2] or the Back key before you start typing the password):



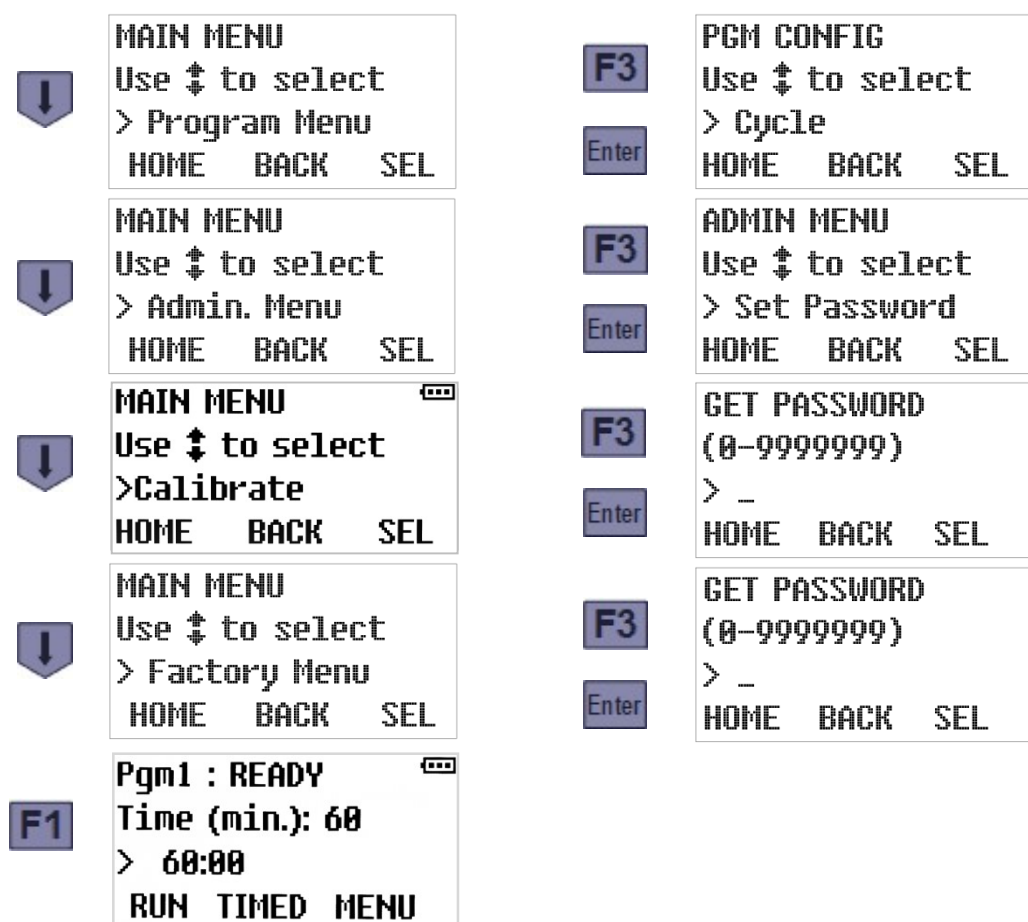
To access the Main Menu, use the numeric keys to type the correct password, then press SEL [F3] or the Enter key. If the password was 56, for example:



Typing the first digit changes the F1 prompt to UNDO—pressing that key would then clear any digits you had typed so far and restore the initial Password screen. In contrast, pressing BACK [F2] or the **back** key will clear only the last typed digit.

Note: Entering a password is not required to operate the control.

Whenever any Main Menu screen is displayed, you can scroll through its five options by pressing the Up or Down key, display the first option of the indicated subordinate menu by pressing SEL [F3] or the Enter key, or exit the menu system by pressing HOME [F1]:



For convenience, each of those subordinate menus is set up so saving a setting (or initiating an action) automatically displays the next one. Also, pressing the Enter key (or SEL [F3], if available) when a setting's current value is first displayed leaves it unchanged. So you can advance through the entire menu, viewing but not changing any settings, by simply pressing the Enter key enough times.

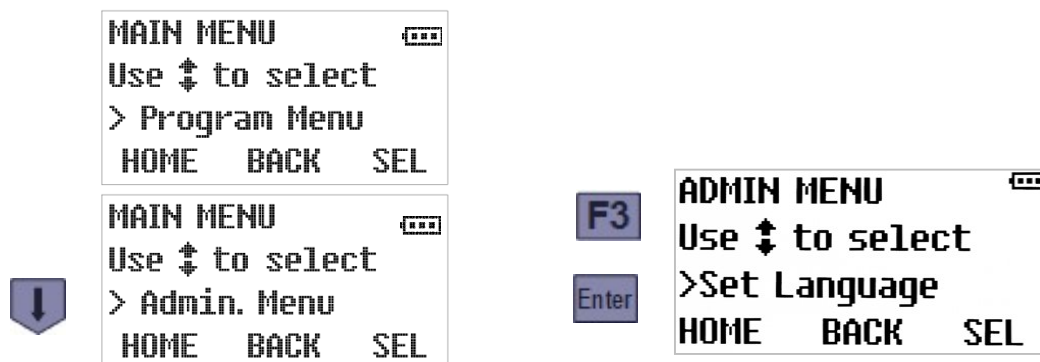
- ⚠ *Access to the Load Cell Menu and Factory Menus is restricted by additional passwords. These menus are used to adapt each controller to the sampler and its specific features, prior to shipment.*

3.2: > Administration Menu

Administration Menu screens can be used to:

- > Set Language- change Languages (Chapter 3.2.1)
- > Set Password- set a password (Chapter 3.2.2)
- > Clr Password- allows you to clear the selected password
- > Set DST- set time for daylight saving time
- > Set Clock-set time and date (Chapter 3.2.3)
- > Adjust LCD- adjust display contrast (Chapter 3.2.4)
- > Download Archives- Downloading sampling data (this feature is not active at this time)
- > Clear Archives- clear sampling data (Chapter 3.2.5)
- > Set ID- sampler can be assigned ID number (Chapter 3.2.6)
- > Set Units- set units English or Metric (Chapter 3.2.7)

1. Access the **Main Menu** by pressing the MENU [F3] key and (if so prompted) entering the optional password (see Menu System above).
2. Press the DOWN key to scroll to the **Administration Menu** option, then press the SEL [F3] or Enter key to display that menu's first option:



3.2.1: Set Language

Select this menu option to change the display language. To select a language, scroll using the up and down arrows to the right of the display (English, German, French, Spanish, Italian, Polish, Danish, Swedish) then push F3 (SEL) Enter. The screen will then advance to Change Language, Yes or No. If the language selection is correct, select Yes, if incorrect select No.



3.2.2: Administration Password

The **administration password** can be used to prevent unauthorized individuals from accessing the Administration and Program menus. Entering the password is optional.

- If it is set to zero (its factory default value), pressing the MENU [F3] key will immediately display the first Main Menu option.
 - If it is assigned a value from 1 to 9,999,999 (leading zeroes are not allowed), pressing MENU [F3] will display the Password entry screen.
- ⚠ *The Load Cell and Factory Menus, which are meant to be used only by Teledyne ISCO personnel, are protected by additional passwords that must be entered even if the administration password is cleared (set to zero).*
- ⚠ *If you forget the value of your administration password, contact Teledyne ISCO for instructions on how to regain access to your sampler menu system.*

To change the administration password's value:

1. Select the Administration menu (Chapter 3.2) to display its second option (Set Password). The second line of the readout will then show the range of allowable values while the third displays the current password:

```
ADMIN MENU
Use ↓ to select
> Set Password
HOME  BACK  SEL
```

```
F3
or
Enter
SET PASSWORD
(0-99999999)
> 8675309_
HOME  BACK  SEL
```

2. Type the new password by pressing the corresponding numeric keys (the old password will be erased and the F1 prompt will change from HOME to UNDO). Then press the SEL [F3] or Enter key to save the displayed password and advance to the next Administration Menu option. To change it to 56, for example, just press 5, then 6, and finally SEL [F3] or Enter. The new value will then be saved and the next Admin Menu option will be displayed:

5 6

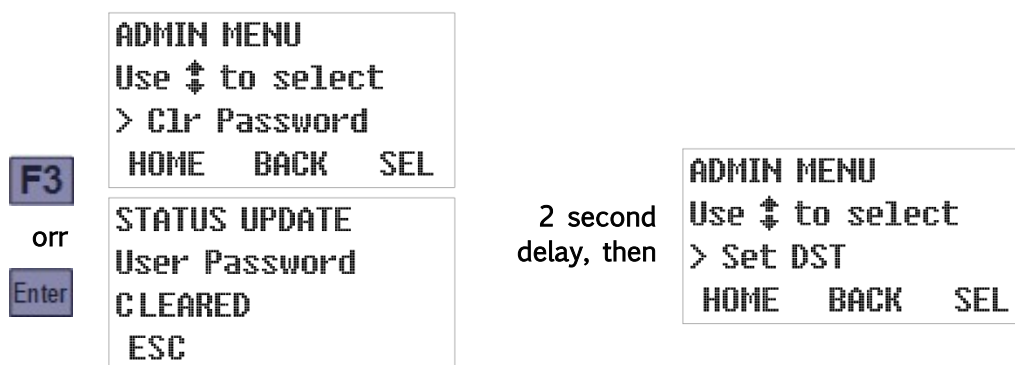
```
SET PASSWORD
(0-99999999)
> 56_
UNDO  BACK  SEL
```

```
F3
Enter
ADMIN MENU
Use ↓ to select
> Clr Password
HOME  BACK  SEL
```

- While entering a new password:
 - Pressing UNDO [F1] would restore the old password value.
 - Pressing BACK [F2] or the Back key would delete the right-most typed digit. Backspacing over the first digit will restore the old password.

Setting the password to zero (0) removes any previously set Administration and Program Menu protection. An easier way to do that, however, is to execute the second Admin Menu option:

1. Select the Administration Menu and press the DOWN key to display its Clear Password option.
2. Press the SEL[F3] or Enter key to immediately set the password to zero. A STATUS UPDATE screen will appear briefly, followed by the next Administration Menu option:

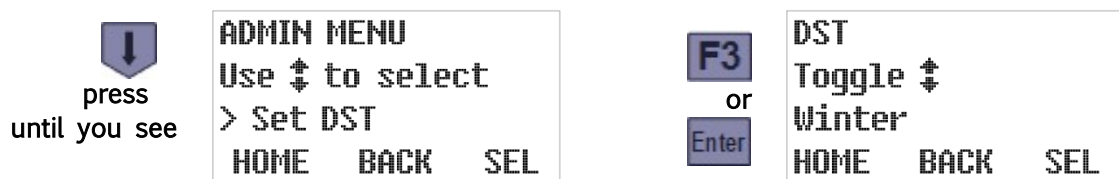


3.2.3: Clock Settings

The control board includes a real-time clock chip with a backup battery, so it runs even when the control board is powered down. This enables it to time stamp all archived data and to collect samples at scheduled times. In addition, the current time and date are displayed on the third line of the second operating status screen.

The third Administration Menu option allows you to quickly adjust the clock by one hour when daylight savings time (DST) begins or ends, while the fourth allows you to directly reset the clock to the current date and time. Because you should make sure the DST option is correct before setting the time, those options should be executed in the order presented:

1. Select the Administration Menu (Chapter 3.2), use the Down key to scroll to its third (Set DST) option, and then press the SEL [F3] or Enter key. The third line of the readout will then show the current daylight savings time setting:



2. If necessary, press either the Up or the Down key to toggle that setting. When the desired setting is displayed, press the SEL [F3] or Enter key to save it and display the Set Clock option:



3. To adjust the date and time settings, press the SEL [F3] or Enter key. Otherwise, scroll to

another Administration Menu option or press the HOME [F1] key to restore the Main Menu. The current date setting is displayed first. If it is correct, or after you have corrected it, press the Enter key to save the displayed date and access the current time setting:



The same techniques are used to change both settings. The third line displays the current value, with an underline cursor indicating the digit currently subject to editing:

- Press the Previous [F2] or Next [F3] key to move that cursor one digit left or right.
- Press any appropriate numeric key to set the current digit and advance the cursor, OR press the Up or Down key to increment or decrement the current digit.
- Press the ESC[F1] key to undo any change to the displayed setting and return to the Administration Menu/Set Clock screen.

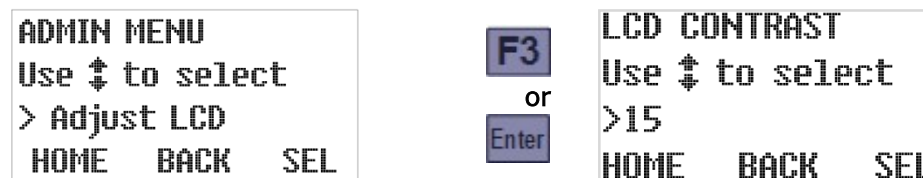
4. Pressing the Enter key while the time setting is displayed saves that time and displays the next Administration Menu option:



3.2.4: LCD Brightness

To adjust the brightness of the LCD backlight, this determines the contrast of the user interface panel:

1. Select the Administration Menu (Chapter 3.2), use the Up or Down key to scroll to its fifth (Adjust LCD) option, and then press the SEL [F3] or Enter key to display the current setting:



2. Pressing the Up or Down key will increment or decrement that setting while making the screen slightly brighter or darker. The darkest possible setting is 0, the brightest is 30:

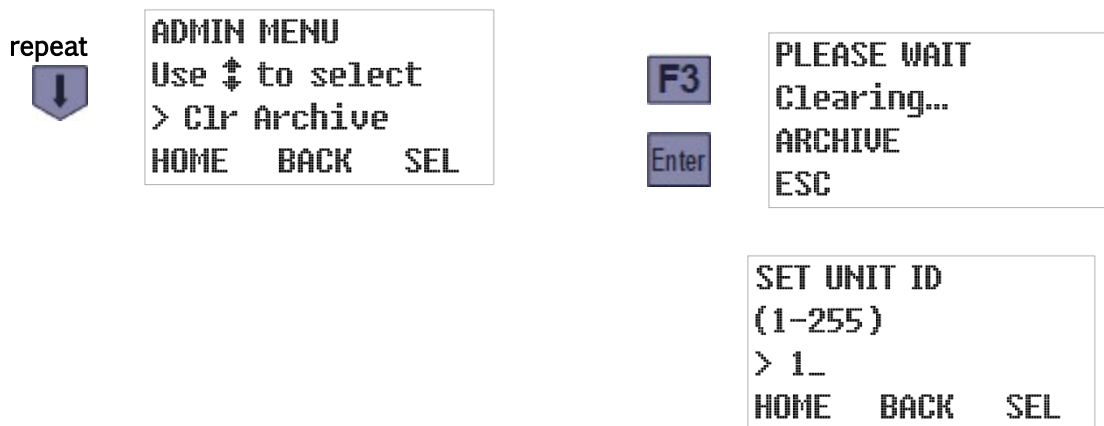


- Pressing the SEL [F3] or Enter key saves the displayed setting and displays the next Administration Menu option.



3.2.5: Archival Data Administration

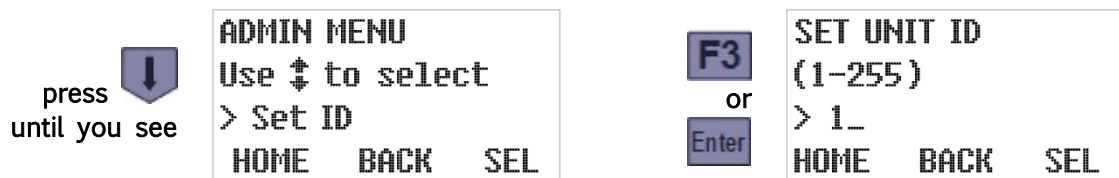
To erase those log files from the microprocessor's memory, select the Administration Menu, use the Up or Down key to scroll to (Clear Archive) option, and press the SEL [F3] or the Enter key.



3.2.6: SetIDNumber

Each sampler can be assigned a unique ID number. To set it:

1. Select the Administration Menu , use the Down key to scroll to its Set ID option, and then press the SEL [F3] or Enter key to display the current ID:



2. Type the new ID by pressing the corresponding numeric keys, then press the SEL[F3] or Enter key to save it and advance to the next Administration Menu option:



3.2.7: Set Units (Volumetric)

Each sampler can be configured on-the-fly to display flow volumes and composite bottle sizes in either English or metric units (e.g., gallons or liters). To do so:

1. Select the Administration Menu (Chapter 3.2), use the Up key to scroll to its Set Units option, and then press the SEL [F3] or Enter key to display the currently selected option:



Press the Up or Down key to toggle to this option's alternate value. Then press the SEL [F3] or Enter key to save the displayed setting and advance to the next Administration Menu option: The screen returns to Set Language, to exit push HOME (F1).



Chapter 4: Sampling Program Configuration

Each user interface panel's **Program Menu** is used to configure that controller's Sampling Programs (see Appendix A:) and specify which is selected to be configured and/or started. Although you can directly view and change individual parameters for each program, the menu is designed so that all parameters for each program can be set in one continuous process:

- Each program's parameters are divided into several configuration groups.
- Selecting a specific program displays the first parameter in its first group.
- Pressing the SEL[F3] or Enter key (whether or not you have changed the displayed value) displays the next parameter in the same group.
- Options that are rendered inapplicable by those you have already set are not displayed.
- Setting the last parameter in any group returns you to the Program Configuration menu with the next parameter group selected.

In other words, simply access the Program Menu, select the program you want to configure, and then keep pressing the SEL [F3] or Enter key as you verify or change each setting.

4.1 : Program Selection

Access the **Main Menu** by pressing the MENU [F3] key and (if so prompted) entering the optional password. The **Program Menu** should be the first Main Menu option—if not, use the Up or Down key to scroll to that option. Then press the SEL [F3] or Enter key to display the Program Select screen:



Use the Up or Down key to scroll to the program you want, then press the SEL [F3] or Enter key to select it and display the Program Configuration menu.



If that program has already been configured and you are just selecting it to be run, press HOME [F1] twice (or BACK [F2] or the Back key three times) to return to the Ready screen:



Otherwise, you can configure the selected program by setting the parameters in each of its five configuration groups (see next section).

4.2: Program Configuration Groups

The configuration parameters for each program are divided into five groups:

- Sampling Cycle Settings (Chapter 4.3)
- Sampling Intervals (Chapter 4.4)
- Bottle Options (Chapter 4.5)
- Run Options (Chapter 4.6)
- Program Events (Chapter 4.7)

To access a particular group, select the program you want to configure (see above) to display its Program Configuration menu. Use the Up or Down key to scroll to the parameter group of interest, then press the SEL [F3] or Enter key to display that group's first setting:

	<pre>PGM CONFIG Use ↑↓ to select >Cycle HOME BACK SEL</pre>	<pre>F3 or Enter</pre>	<pre>PREPURGE (0-99 sec.) > 15_ HOME BACK SEL</pre>
↓	<pre>PGM CONFIG Use ↑↓ to select >Smpl. Interval HOME BACK SEL</pre>	<pre>F3 or Enter</pre>	<pre>SMPL. INTERVAL Use ↑↓ to select >Time HOME BACK SEL</pre>
↓	<pre>PGM CONFIG Use ↑↓ to select >Bottle Opts. HOME BACK SEL</pre>	<pre>F3 or Enter</pre>	<pre>SAMPLE TYPE Use ↑↓ to select >Composite HOME BACK SEL</pre>
↓	<pre>PGM CONFIG Use ↑↓ to select >Pgm. Run Opts. HOME BACK SEL</pre>	<pre>F3 or Enter</pre>	<pre>AUTO RERUN Toggle ↑↓ >Enable HOME BACK SEL</pre>
↓	<pre>PGM CONFIG Use ↑↓ to select >Pgm. Events HOME BACK SEL</pre>	<pre>F3 or Enter</pre>	<pre>PGM EVENT #1 Use ↑↓ to select >End List HOME BACK SEL</pre>

You can return to the Program Configuration menu from any parameter screen by pressing the HOME [F1] key, and then to the Program Selection screen by pressing the BACK [F2] key:

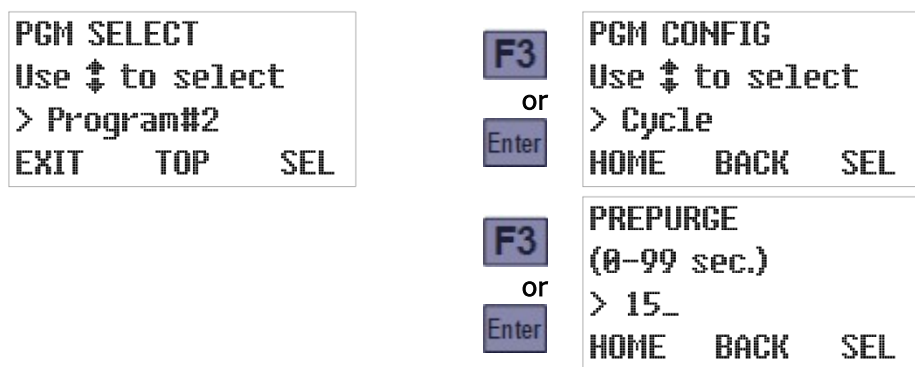
F1	<pre>PGM CONFIG Use ↑↓ to select >Cycle HOME BACK SEL</pre>	F2	<pre>PGM SELECT Use ↑↓ to select > Program#1 EXIT TOP SEL</pre>
----	--	----	--

4.3: Sampling Cycle Settings

This group includes the parameters that configure the sampling cycle (Chapter 4.3).

- pre-sampling purge duration (Chapter 4.3.1)
- sample size (Chapter 4.3.2)
- post-sampling purge duration (Chapter 4.3.3)
- line conditioning rinses (Chapter 4.3.4)
- incomplete sample recycling (Chapter 4.3.5)
- consecutive sampling (Chapter 4.3.6)

To access those parameters, select the program you want to configure (Chapter 4.1) and press the SEL [F3] or Enter key to display its first parameter group (Cycle). Then press the SEL [F3] or Enter key again to display that group's first setting:



4.3.1: Pre-Sampling Purge Duration

This parameter specifies the number of seconds the chamber will be pressurized to clear the sampling tube prior to drawing a sample. To determine and optionally change its value:

1. Select the Cycle parameter group to display this parameter's current value (see above).
2. If desired, type new pre purge duration by pressing the corresponding numeric keys. When you type the first digit, the old value is erased and the F1 prompt changes from HOME to UNDO. You can then press the UNDO [F1] key to start over, or the BACK [F2] or Back key to delete the most recently typed digit.
3. Press the SEL [F3] or Enter key to save the displayed value (changed or not) and advance to the next Sampling Cycle group parameter.

To change the pre purge duration to 20 seconds, for example:

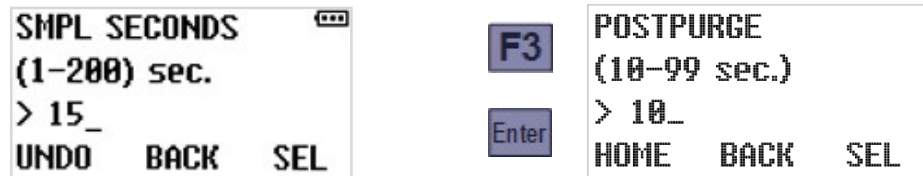


4.3.2: SampleSeconds

This parameter specifies the maximum number of seconds the chamber will be depressurized to draw in each sample (if the liquid sensor is not triggered first). To determine and optionally change its value:

1. Accept or change the Prepurge Duration, which will display this parameter's current value.
2. If desired, type a new sampling time by pressing the corresponding numeric keys. When you type the first digit, the old value is erased and the F1 prompt changes from HOME to UNDO. You can then press the UNDO [F1] key to start over, or the BACK [F2] or Back key to delete the most recently typed digit.
3. Press the SEL [F3] or Enter key to save the displayed value (changed or not) and advance to the next Sampling Cycle group parameter.

To change the sample time to 15 seconds, for example:



* If the sample does not reach the liquid sensor electrodes within the sampling time duration, the SMPL SECONDS needs to be increased.

4.3.3: Post-Sampling Purge Duration

This parameter specifies the number of seconds the chamber will be pressurized after each sample is drawn, in order to reverse the fluid flow and clear the sampling tube prior to discharging the samples. To determine and optionally change its value:



1. Accept or change the Sample Seconds, which will display this parameter's current value.
2. If desired, type a new post purge duration by pressing the corresponding numeric keys. When you type the first digit, the old value will be erased and the F1 prompt will change from HOME to UNDO. You can then press the UNDO [F1] key to start over, or the BACK [F2] or Back key to delete the most-recently typed digit.
3. Press the SEL [F3] or Enter key to save the displayed value (changed or not) and advance to the next Sampling Cycle group parameter.

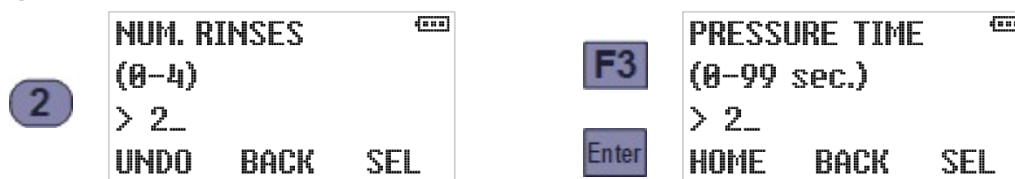
4.3.4: Line Conditioning Rinses

This feature can be configured to rinse the intake line up to four times prior to drawing each sample. To enable it, specify a non-zero number of rinses and then set its pressure and vacuum phase durations:

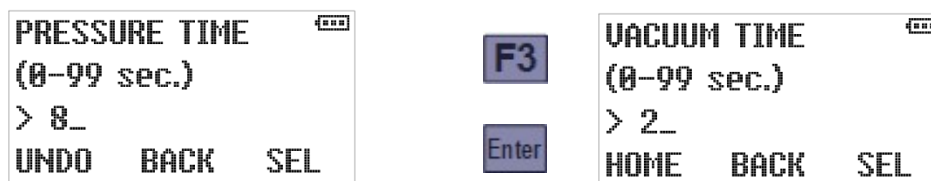
1. View/change the Post purge Duration and then press the SEL [F3] or Enter key to display the currently-specified number of rinses (see above).
2. Type the desired value by pressing the corresponding numeric key. Then press the SEL [F3] or Enter key to save the displayed number of rinses:
 - Setting it to 0 disables this feature, in which case the screens for setting its pressure and vacuum phase durations will not be displayed:



- Setting it to any other value would display the current pressure phase duration:



3. Type the new pressure time by pressing the corresponding numeric keys. Then press the SEL [F3] or Enter key to save the displayed pressure time and display the current vacuum phase duration:



4. Enter the new vacuum time by pressing the corresponding numeric key. When setting the vacuum time, make sure the vacuum time is short enough that **the sample does not enter the sample chamber..** (Note: The vacuum time will need to be reduced if water enters the sample chamber.) Then press the SEL [F3] or Enter key to save the displayed vacuum time and advance to the next Sampling Cycle group parameter:



- ⚠ *The vacuum phase should be brief enough that no water is drawn into the sampling chamber. If water enters the sampling chamber during the rinse cycle and touches the liquid-sensor electrodes the vacuum time will stop and start purging the line. The vacuum time in the rinse cycle needs to be reduced so the sample does not enter the sample chamber.*

4.3.5: RECYCLE- (Retry)

If this feature is turned On, the controller will “Recycle” the collection of incomplete samples by repeating the sampling cycle as many as four times.

1. View/change the rinse settings and then press the SEL [F3] or Enter key to display the status of this feature.
2. You can toggle this feature On or Off by pressing the Up or Down key.
3. Press the SEL [F3] or Enter key to save the displayed status and advance to the next Sampling Cycle group parameter.



4.3.6: Consecutive Sampling

This parameter specifies the number of samples at the end of each time or flow interval. If you set it to more than one, the full sampling cycle (including recycling, if needed) will be repeated the specified number of times for each interval.

You might want to specify more than one and configure appropriate bottle options for either of two reasons:

- Drawing several samples one after the other and discharging them to the same container effectively allows you to collect samples larger than the 400 ml maximum size.
- Drawing consecutive samples and discharging them to different containers allows you to save and process duplicate samples for verification purposes.

To view/change the number of samples per interval:

1. View/change the recycling settings and then press the SEL [F3] or Enter key to display the current value of this parameter.
2. Type the new value by pressing the corresponding numeric keys. Then press the SEL [F3] or Enter key to save the displayed value and return to the Program Configuration menu scrolled to the next parameter group.

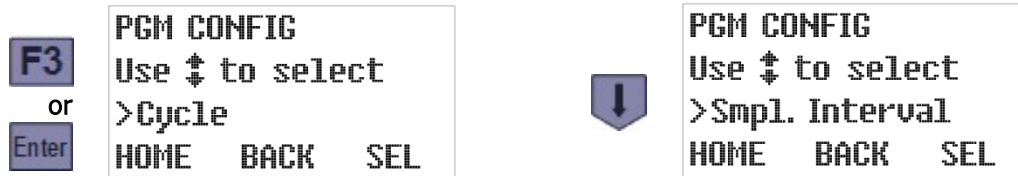
To configure a sample to draw two samples per interval, for example:



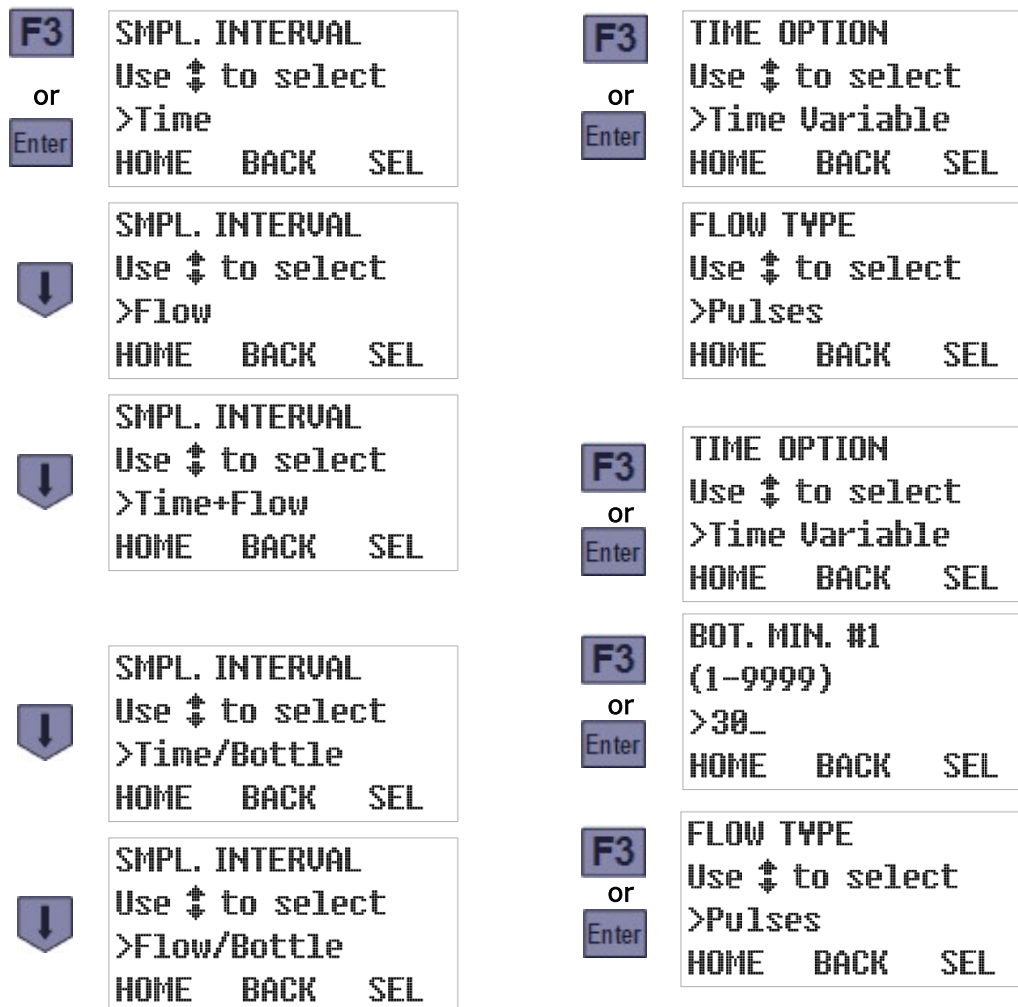
4.4: Sampling Intervals

This group includes one main parameter that specifies the type of sampling interval(s) the controller will use, and several parameter groups that configure those interval(s).

To directly access the sampling interval type, select the program you want to configure then press the Down key to scroll to the Sample Intervals group:



Press the SEL [F3] or Enter key to display the currently configured interval type, then use the Down or Up key to scroll to the desired new setting. With that value displayed, press the SEL [F3] or Enter key to display the first parameter for that interval type:



The “per bottle” options will appear only if your controller is equipped with the multiple bottle turntable and factory-configured to display the discrete sampling bottle options.

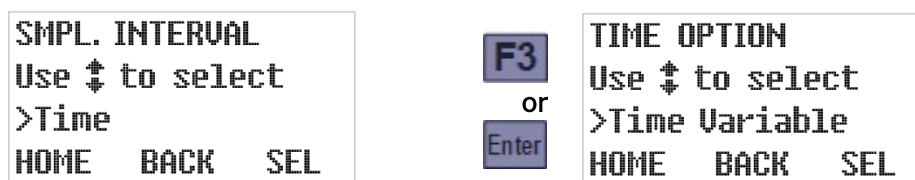
4.4.1: Timed Interval Sampling

Selecting the **Time** sampling interval option configures the controller to wait a specified number of minutes after initiating one sample before initiating the next:

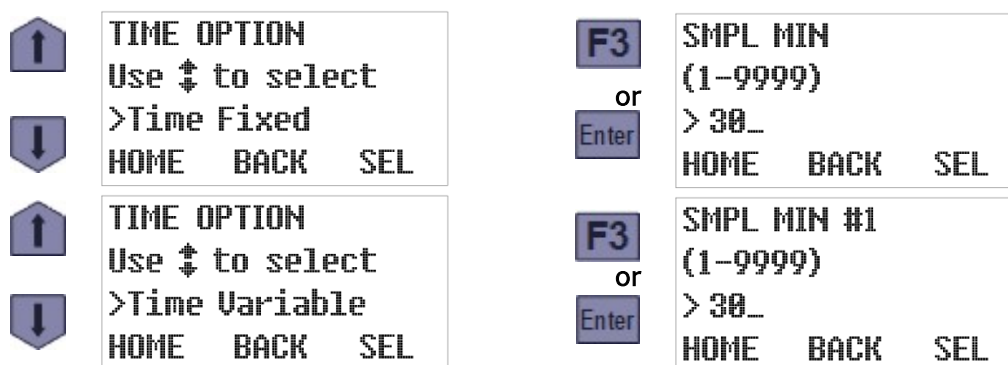
- If the samples are taken at regular intervals, select the **Time Fixed** option and then set the fixed length of those intervals. For example, you might configure a program to draw samples every 60 minutes until it is stopped.
- Otherwise, select the **Time Variable** option and then specify no more than 24 time intervals. One sample will be drawn at the end of each specified interval, after which the last interval will be repeated until the program is stopped. For example, you might configure a program to draw its first sample an hour after starting and then switch to 30 minute intervals.

To select the desired option:

1. Scroll the Sample Interval parameter's value to Time (see above), then press the SEL [F3] or Enter key to save that value and display the currently selected Time Option:



2. Use the Up or Down key to toggle between that parameter's two possible values, then press the SEL [F3] or Enter key to save the displayed value and display its first setting:



4.4.1.1: Fixed Length Time Intervals

As shown above, selecting the **Time Fixed** option displays its first (and only) parameter—the length of time it waits between initiating any sample and the next. To change it, type the new duration (20 minutes, for example) by pressing the corresponding numeric keys. Then press the SEL [F3] or Enter key to save the displayed Sample Minutes (changed or not) and display the Program Configuration menu's Bottle Options screen:



4.4.1.2: Variable Length Time Intervals

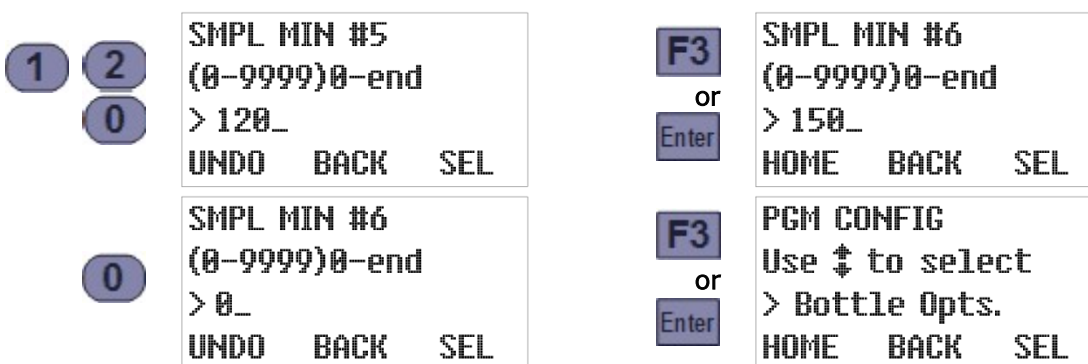
As shown previously, selecting the **Time Variable** option displays the first of 24 Sample Minutes parameters—the length of time it will wait before drawing its first sample. To change its value, type the new duration (20 minutes, for example) by pressing the corresponding numeric keys. Press the SEL[F3] or Enter key to save that value (changed or not) and display the next:



The digit keys can then be used to change the number of minutes the program would wait between initiating its first and second samples. Pressing the SEL[F3] or Enter key would again save the displayed value and display the next. And so on until pressing the SEL [F3] or Enter key while Sample Minutes #24 is displayed restores the Program Configuration menu scrolled to its next group (Bottle Options).



However, you do not need to set all 24 intervals—setting any one of them to 0 configures the program to use the value of the preceding parameter for all subsequent intervals. For example, setting Sample Minutes #5 to 120 and Sample Minutes #6 to 0 would have the same effect as setting Sample Minutes #6 through #24 all to 120 (the value of Sample Minutes #5):



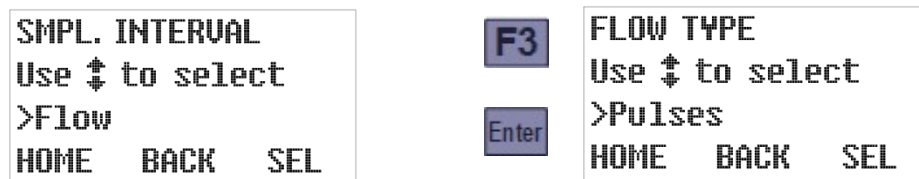
4.4.2: Flow Interval Sampling

Selecting the **Flow** sampling interval option configures the controller to initiate sampling as its accumulated flow measurement increases by specified volumes. You must then:

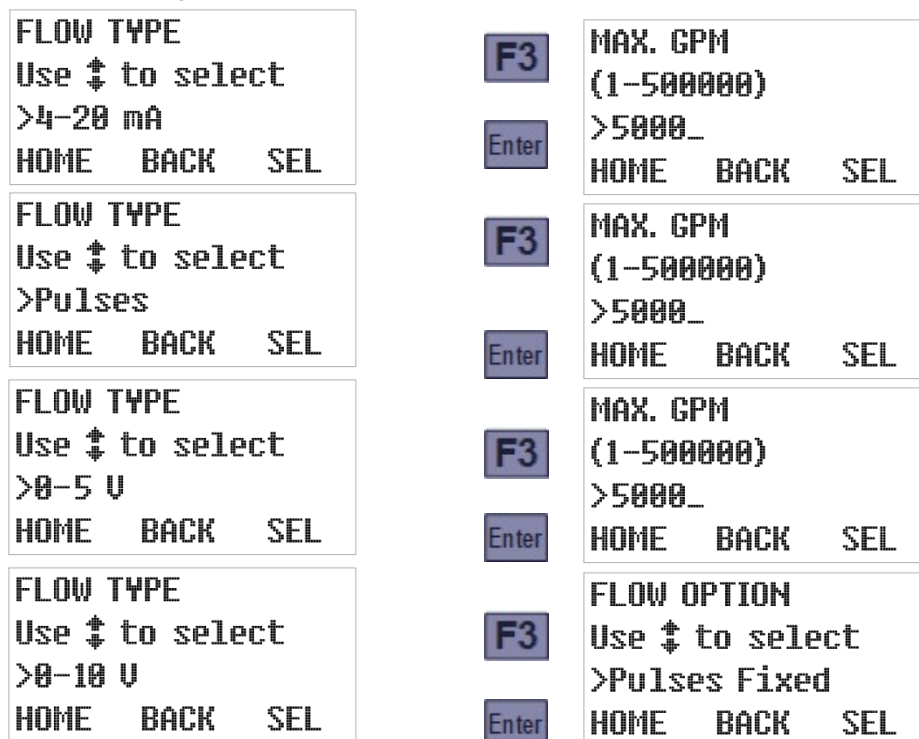
- Select the flow input type (4-20 mA, 0-5 VDC, 0-10 VDC, or discrete pulse).
- Specify the flow rate corresponding to the maximum signal (analog input only).
- Specify the incremental flow between the initiation of one sample and the next:
 - If the samples are to be drawn at regular intervals (for example, after each 5000 gallon flow increment), select the **Flow Fixed** option and set the fixed length of those intervals.
 - Otherwise, select the **Flow Variable** option and specify no more than 24 flow intervals. One sample will be drawn at the end of each specified interval, after which the last interval will be repeated until the program is stopped. For example, you might configure a program to draw its first sample when the total flow reaches 5000 gallons, and then switch to 2500 gallon intervals (i.e., after 7500, 10000 and so on total gallons).

Flow volumes are specified in either gallons or liters, depending on the current Administration Menu Set Units setting (Chapter 3.2.7).

To specify the input type, scroll the Sample Interval parameter's value to Flow, then press the SEL [F3] or Enter key to save that value and display the currently selected Flow Type:



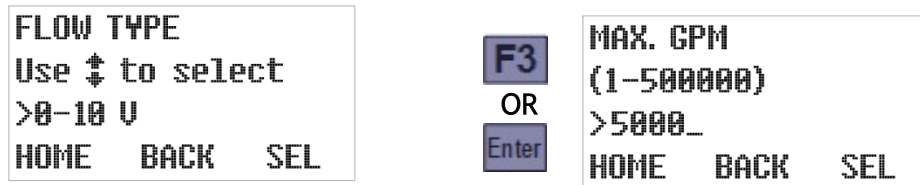
Use the Up or Down key to scroll to the desired type, then press the SEL [F3] or Enter key to save it and display its first setting:



4.4.2.1 : AnalogFlowInput

If you select one of the analog inputs types (4-20 mA, 0-5 VDC, or 0-10 VDC), samples will be initiated an integer number of gallons apart. Thus, you must specify the flow rate (in gallons per minute) corresponding to the transmitter’s maximum signal, after which you can specify the sampling intervals in gallons:

1. Select the flow input type (as described above) to display the current maximum flow rate setting (the rate at which the transmitter would transmit its maximum signal). This example shows the 0-10 VDC option, but the resulting screen would be the same for the 0-5 VDC or 4-20 mA options as well:

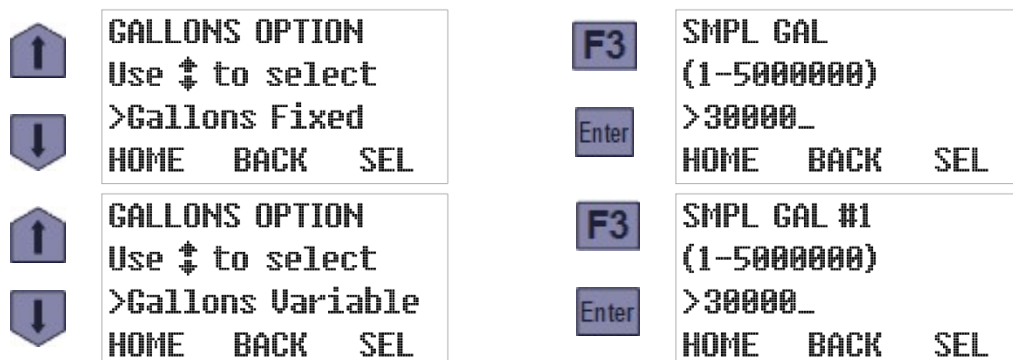


2. To change that setting, type a new maximum flow rate by pressing the corresponding numeric keys. When you type the first digit, the old value will be erased and the F1 prompt will change from HOME to UNDO. You can then press the UNDO [F1] key to start over, or the BACK[F2] or Back key to delete the most-recently typed digit.
3. Press the SEL [F3] or Enter key to save the displayed value (changed or not) and display the current flow option (fixed or variable sampling intervals). As an example:



The above example assumes you are using a flow transmitter whose signal varies from 0 VDC at no flow up to 10 VDC at 1500 gallons per minute. A 1.0 VDC signal would then indicate the flow was 150 GPM, so the controller would then calculate the instantaneous flow by multiplying 150 by the input signal in volts.

4. Use the Up or Down key to toggle between the Flow Option’s two possible values, then press the SEL [F3] or Enter key to save the displayed value and display its first setting:



4.4.2.1.1 : Fixed Volume Flow Intervals

As shown previously, selecting the **Flow Fixed** option displays its only parameter—the specified change in flow between samples. To change that interval, type a new value by pressing the corresponding numeric keys. Then press the SEL [F3] or Enter key to save the displayed Sample Gallons (changed or not) and display the Program Configuration menu’s next screen:



4.4.2.1.2 : Variable Volume Flow Intervals

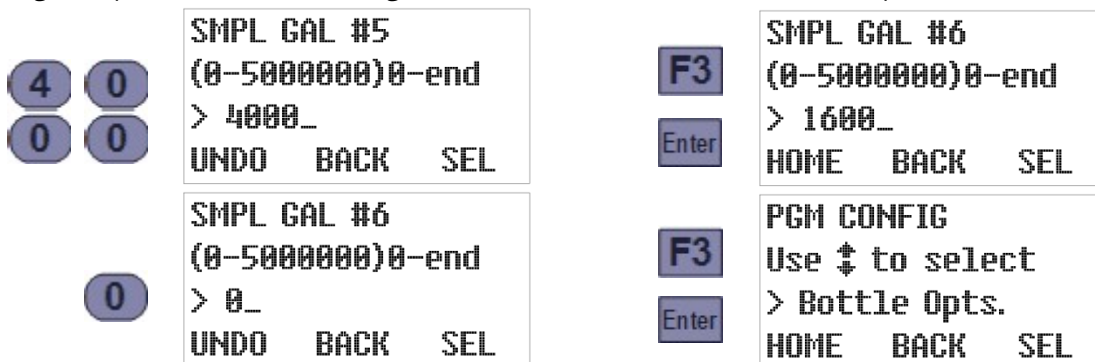
As shown previously, selecting the **Flow Variable** option displays the first of 24 Sample Gallons parameters—the incremental flow at which the controller will draw its first sample. To change it, type the new flow increment (2400 gallons, for example) by pressing the corresponding numeric keys. Press the SEL [F3] or Enter key to save that value (changed or not) and display the next:



The digit keys can then be used to change the number of gallons the program would measure between initiating its first and second samples. Pressing the SEL [F3] or Enter key would again save the displayed value and display the next. And so on until pressing the SEL [F3] or Enter key while Sample Gallons #24 is displayed restores the Program Configuration menu scrolled to its next group (Bottle Options):



However, you do not need to set all 24 intervals—setting any one of them to 0 configures the program to use the value of the preceding parameter for all subsequent intervals. For example, setting Sample Gallons #5 to 4000 and Sample Gallons #6 to 0 would have the same effect as setting Sample Gallons #6 through #24 all to 4000 (the value of Sample Gallons #5):

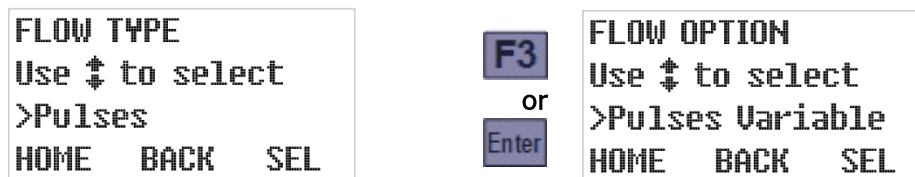


4.4.2.2: Pulsing Flow Input

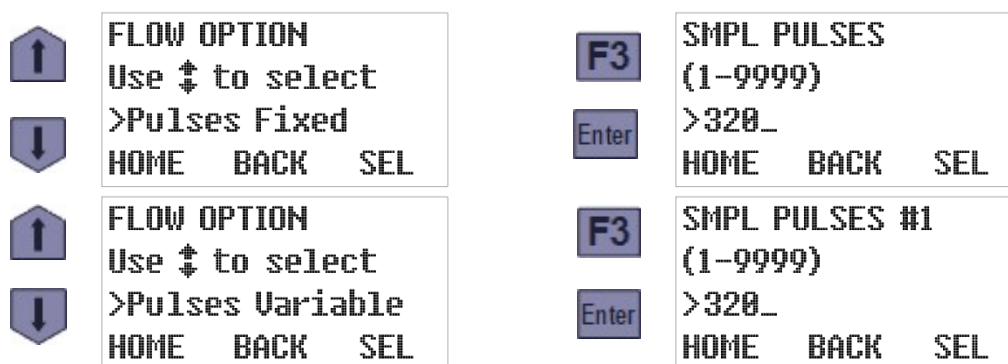
The pulse flow type is for meters that transmit discrete pulses at specific flow intervals. For example, a meter that sends one pulse for every 100 gallons of flow will transmit its first pulse when the total flow it has measured reaches 100 gallons, a second at 200 gallons, and so on.

When this flow type is selected, you must configure the controller to draw samples at intervals that are an integer number of pulses apart (which correspond to the flow increments at which you really want it to draw samples):

1. Select the pulse flow type (Chapter 4.4.2) to display the current value of the flow option (fixed or variable intervals):

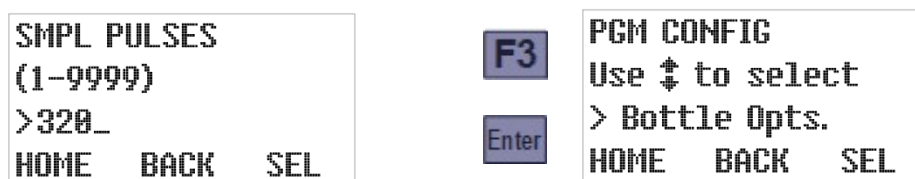


2. Use the Up or Down key to toggle between that parameter's two possible values, then press the SEL [F3] or Enter key to save the displayed value and display its first setting:



4.4.2.2.1 Fixed Pulses Flow Intervals

As shown above, selecting the **Pulses Fixed** option displays its only parameter—the specified number of input pulses between samples. To change that setting, type the new interval pulse count (240, for example) by pressing the corresponding numeric keys. Then press the SEL [F3] or Enter key to save the displayed Sample Pulses (changed or not) and display the Program Configuration menu's next screen:



You can repurpose the flow-pulse input to initiate a sample each time a connected PLC or other external device closes its circuit (Appendix A.2.5). In that case, you would of course set this parameter to 1.

4.4.2.2.2: Variable Pulses Flow Intervals

Selecting the **Pulses Variable** option displays the first of 24 Sample Pulses parameters—the number of pulses at which the controller will draw its first sample. To change it, type the new first sample pulse count (240, for example) by pressing the corresponding numeric keys. Press the SEL[F3] or Enter key to save that value (changed or not) and display the next:

<pre>SMPL PULSES #1 (1-9999) >320_ HOME BACK SEL</pre>	<div style="border: 1px solid gray; display: inline-block; padding: 2px 5px;">F3</div> <div style="border: 1px solid gray; display: inline-block; padding: 2px 5px;">Enter</div>	<pre>SMPL PULSES #2 (0-9999)0-end > 480_ HOME BACK SEL</pre>
---	---	---

The digit keys can then be used to change the number of pulses the program would wait between initiating its first and second samples. Pressing the SEL [F3] or Enter key would again save the displayed value and display the next. And so on until pressing the SEL [F3] or Enter key while Sample Pulses #24 is displayed restores the Program Configuration menu scrolled to its next group (Bottle Options):

<div style="border: 1px solid gray; border-radius: 50%; display: inline-block; padding: 2px 5px;">3</div> <div style="border: 1px solid gray; border-radius: 50%; display: inline-block; padding: 2px 5px;">2</div> <div style="border: 1px solid gray; border-radius: 50%; display: inline-block; padding: 2px 5px;">0</div>	<pre>SMPL PULSES #24 (0-9999)0-end > 320_ UNDO BACK SEL</pre>	<div style="border: 1px solid gray; display: inline-block; padding: 2px 5px;">F3</div> <div style="border: 1px solid gray; display: inline-block; padding: 2px 5px;">Enter</div>	<pre>PGM CONFIG Use ↑ to select > Bottle Opts. HOME BACK SEL</pre>
--	--	---	---

However, you do not need to set all 24 intervals—setting any one of them to 0 configures the program to use the value of the preceding parameter for all subsequent intervals. For example, setting Sample Pulses #5 to 400 and Sample Pulses #6 to 0 would have the same effect as setting Sample Pulses #6 through #24 all to 400 (the value of Sample Pulses #5):

<div style="border: 1px solid gray; border-radius: 50%; display: inline-block; padding: 2px 5px;">4</div> <div style="border: 1px solid gray; border-radius: 50%; display: inline-block; padding: 2px 5px;">0</div> <div style="border: 1px solid gray; border-radius: 50%; display: inline-block; padding: 2px 5px;">0</div>	<pre>SMPL PULSES #5 (0-9999)0-end > 400_ UNDO BACK SEL</pre>	<div style="border: 1px solid gray; display: inline-block; padding: 2px 5px;">F3</div> <div style="border: 1px solid gray; display: inline-block; padding: 2px 5px;">Enter</div>	<pre>SMPL PULSES #6 (0-9999)0-end > 160_ HOME BACK SEL</pre>
<div style="border: 1px solid gray; border-radius: 50%; display: inline-block; padding: 2px 5px;">0</div>	<pre>SMPL PULSES #6 (0-9999)0-end > 0_ UNDO BACK SEL</pre>	<div style="border: 1px solid gray; display: inline-block; padding: 2px 5px;">F3</div> <div style="border: 1px solid gray; display: inline-block; padding: 2px 5px;">Enter</div>	<pre>PGM CONFIG Use ↑ to select > Bottle Opts. HOME BACK SEL</pre>

4.4.3 Time+Flow Interval Sampling

Selecting the **Time+Flow** sampling interval option configures the controller to draw samples at either time or flow intervals, whichever proves to be the soonest for each sample. In other words, it accumulates both the time and the flow since the last sample was initiated, and initiates the next (and resets both counters) as soon as either reaches its configured target.

When this option is selected you will be prompted to:

1. Select the Time Option and set its associated parameters (Chapter 4.4.1), and then
2. Select the Flow Type and Option and set their associated parameters (Chapter 4.4.2).

4.4.4: Per-Bottle Timed Interval Sampling

Selecting a sequential sampler's **Time/Bottle** interval option configures it to draw samples at time intervals that are tied to the rotation of the bottle carousel.

To configure this option, scroll the Sample Interval parameter to Time/Bottle (Chapter 4.4), then press the SEL [F3] or Enter key to save that choice and display the first of its 24 Bottle Minutes parameters—the length of time it will wait between samples when bottle 1 is positioned beneath the sampling chamber:

<pre>SMPL. INTERVAL Use ↑↓ to select >Time/Bottle HOME BACK SEL</pre>	F3 or Enter	<pre>BOT. MIN. #1 (1-9999) >30_ HOME BACK SEL</pre>
--	---------------------------------	--

To change that interval, type the new duration by pressing the corresponding numeric keys. Press the SEL[F3] or Enter key to save that value (changed or not) and display the next:

2 0	<pre>BOT. MIN. #1 (1-9999) >20_ UNDO BACK SEL</pre>	F3 or Enter	<pre>BOT. MIN. #2 (0-9999)0-end >60_ HOME BACK SEL</pre>
---	--	---------------------------------	---

The digit keys can then be used to change the number of minutes the program would wait between samples for the second bottle. Pressing the SEL [F3] or Enter key would again save the displayed value and display the next. And so on until pressing the SEL [F3] or Enter key while Bottle Minutes #24 is displayed restores the Program Configuration menu scrolled to its next group (Bottle Options).

6 0	<pre>BOT. MIN. #24 (0-9999)0-end >60_ UNDO BACK SEL</pre>	F3 or Enter	<pre>PGM CONFIG Use ↑↓ to select > Bottle Opts. HOME BACK SEL</pre>
---	--	---------------------------------	--

However, you do not need to set all 24 intervals—setting any one of them to 0 configures the program to use the value of the preceding parameter for all subsequent intervals. For example, setting Bottle Minutes #5 to 120 and Bottle Minutes #6 to 0 would have the same effect as setting Bottle Minutes #6 through #24 all to 120 (the value of Bottle Minutes #5):

1 2 0	<pre>BOT. MIN. #5 (0-9999)0-end >120_ UNDO BACK SEL</pre>	F3 or Enter	<pre>BOT. MIN. #6 (0-9999)0-end >150_ HOME BACK SEL</pre>
0	<pre>BOT. MIN. #6 (0-9999)0-end >0_ UNDO BACK SEL</pre>	F3 or Enter	<pre>PGM CONFIG Use ↑↓ to select > Bottle Opts. HOME BACK SEL</pre>

4.4.5: Per-Bottle Flow Interval Sampling

Selecting the **Flow/Bottle** sampling interval option configures the program to draw samples at flow intervals that are tied to the position of the bottle carousel.

Before specifying those intervals, you must first select the flow input type. For instructions on doing that, please refer to the Flow Interval Sampling (Chapter 4.4.2). Once you have done that, the screens you will see depend on whether you are using an analog or a discrete input:

- For analog flow inputs, you first specify the flow rate corresponding to the transmitter's maximum signal and then specify the sampling intervals in gallons. The procedures are the same as described previously in the Analog Flow Input (Chapter 4.4.2.1.1) and the Variable Flow Intervals (Chapter 4.4.2.1.2)

The flow interval for samples deposited to the first bottle are specified by the Sample Gallons #1 parameter, the interval for the second bottle's samples are specified by the Sample Gallons #2 parameter, and so on.

- For discrete flow signals, those intervals are specified as pulse counts. The procedure is the same as described previously in the Variable Pulses Flow Intervals (Chapter 4.4.2.2.2).

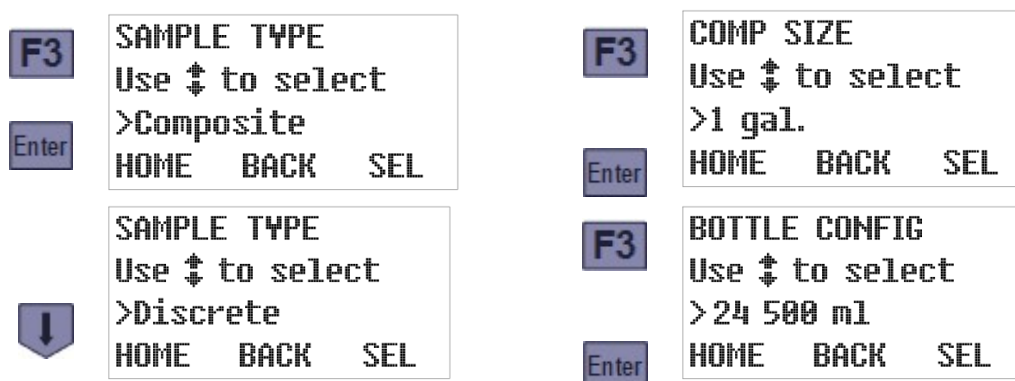
The flow interval for samples deposited to the first bottle are specified by the Sample Pulses #1 parameter, the interval for the second bottle's samples are specified by the Sample Pulses #2 parameter, and so on.

4.5: Bottle Options

This group includes one main parameter that specifies which type of sample containers your sampler has (Chapter 1.3.2) and a set of parameters for each possible type. To directly access that main parameter, select the program you want to configure (Chapter 4), then press the Down key twice to scroll to the Bottle Options group:



Press the SEL [F3] or Enter key to display the currently selected storage type, then use the Down or Up key to toggle between that parameter's two possible values. Pressing the SEL [F3] or Enter key will display the first parameter for that sample storage option:



4.5.1: Composite Sample Containers

Selecting the **Composite** bottle option configures the controller to discharge all samples into a single container, and (as shown above) displays the currently configured container size. That size will be shown in either liters or gallons, depending on the current Administration Menu Set Units setting (Chapter 3.2.7).

Use the Up or Down key to scroll to the container size you are using, then press the SEL [F3] or Enter key to save that setting and display the number of samples that container is currently set to receive. Make sure the maximum samples per container do not overflow the container.

<p>F3</p> <p>Enter</p>	<p>COMP SIZE Use ↑ to select >1 gal. HOME BACK SEL</p>	<p>F3</p> <p>Enter</p>	<p>SMPLS/BOTTLE (1-34) >34_ HOME BACK SEL</p>
<p>↓</p>	<p>COMP SIZE Use ↑ to select >2.5 gal. HOME BACK SEL</p>	<p>F3</p> <p>Enter</p>	<p>SMPLS/BOTTLE (1-85) >85_ HOME BACK SEL</p>
<p>↓</p>	<p>COMP SIZE Use ↑ to select >3 gal. HOME BACK SEL</p>	<p>F3</p> <p>Enter</p>	<p>SMPLS/BOTTLE (1-102) >102_ HOME BACK SEL</p>
<p>↓</p>	<p>COMP SIZE Use ↑ to select >5 gal. HOME BACK SEL</p>	<p>F3</p> <p>Enter</p>	<p>SMPLS/BOTTLE (1-170) >170_ HOME BACK SEL</p>

⚠ Each unit is generally factory set to display only the bottle sizes its owner purchased, so the options you see will probably differ from those shown above.

The digit keys can then be used to change the number of samples the program will discharge to the container before automatically stopping itself. Pressing the SEL [F3] or Enter key will save the displayed value and display the Program Configuration menu with its next group selected:

<p>7 5</p>	<p>SMPLS/BOTTLE (1-85) >75_ UNDO BACK SEL</p>	<p>F3 or Enter</p>	<p>PGM CONFIG Use ↑ to select > Pgm. Run Opts. HOME BACK SEL</p>
--------------------------	--	-----------------------------------	---

4.5.2: Discrete/Sequential Sample Containers

Selecting the **Discrete** bottle option configures the controller to discharge samples into multiple bottles mounted in a rotating carousel, and (as previously shown) displays the currently selected bottle configuration. Use the Up or Down key to scroll to the configuration you are using, then press the SEL [F3] or Enter key to save that setting and display how many of those bottles the program is currently configured to use:

↓	<p>BOTTLE CONFIG Use ↑↓ to select >24 500 ml HOME BACK SEL</p>	F3	<p>NUM. BOTTLES (1-24) > 24_ HOME BACK SEL</p>
↓	<p>BOTTLE CONFIG Use ↑↓ to select >24 1000 ml HOME BACK SEL</p>	F3	<p>NUM. BOTTLES (1-24) > 24_ HOME BACK SEL</p>
↓	<p>BOTTLE CONFIG Use ↑↓ to select >2 2.5 gal. HOME BACK SEL</p>	F3	<p>NUM. BOTTLES (1-2) > 2_ HOME BACK SEL</p>
↓	<p>BOTTLE CONFIG Use ↑↓ to select >2 3 gal. HOME BACK SEL</p>	F3	<p>NUM. BOTTLES (1-2) > 2_ HOME BACK SEL</p>

The numeric keys can then be used to change that number, and pressing the SEL [F3] or Enter key will save the displayed value (changed or not) and display the maximum number of samples the program is currently set to discharge to each bottle:

1 2	<p>NUM. BOTTLES (1-24) > 12_ UNDO BACK SEL</p>	F3 or Enter	<p>SMPLS/BOTTLE (1-4) >4_ HOME BACK SEL</p>
-----	---	-------------------	--

The numeric keys can then be used to change that number, and pressing the SEL [F3] or Enter key will again save the displayed value and display the currently bottle indexing setting:

2	<p>SMPLS/BOTTLE (1-4) >2_ UNDO BACK SEL</p>	F3 or Enter	<p>INDEX TYPE Use ↑↓ to select >After Bottle HOME BACK SEL</p>
---	--	-------------------	---

4.5.2.1: Bottle Indexing Options

The controller can be configured to rotate the next bottle under the sample chamber using any one of the following indexing criteria:

- The **After Bottle** option rotates the turntable after the specified number of samples have been discharged to the current bottle. For example, if each bottle is to get 3 samples, the carousel will be turned after the third sample, the sixth, the ninth, and so on until the previously specified number of bottles have each received 3 samples.
- The **After Sample** option rotates the turntable after each sample, and continues doing so until the specified number of samples have been discharged to each bottle. For example, if each bottle is to receive 3 samples, the carousel will make three full revolutions.
- The **After Time** option rotates the turntable each time a specified indexing interval elapses. For example, the carousel might be turned every 3 hours until the previously-specified number of bottles have be serviced. This option is usually combined with Flow Interval sampling to provide flow-proportional sampling.
- The **Real Time** option rotates the turntable at fixed duration intervals starting at a specified time of day (today if the program is started before that time, otherwise tomorrow).

Use the Up or Down key to scroll to the indexing type you wish to use, then press the SEL [F3] or Enter key to save that choice and display its first associated parameter (if any) or return to the Program Configuration menu with its next group selected:

↓	<pre>INDEX TYPE Use ↑ to select >After Bottle HOME BACK SEL</pre>	F3	<pre>PGM CONFIG Use ↑ to select >Pgm. Run Opts. HOME BACK SEL</pre>
↓	<pre>INDEX TYPE Use ↑ to select >After Sample HOME BACK SEL</pre>	F3	<pre>PGM CONFIG Use ↑ to select >Pgm. Run Opts. HOME BACK SEL</pre>
↓	<pre>INDEX TYPE Use ↑ to select >After Time HOME BACK SEL</pre>	F3	<pre>INDEX MIN. (1-9999) > 60_ HOME BACK SEL</pre>
↓	<pre>INDEX TYPE Use ↑ to select >Real Time HOME BACK SEL</pre>	F3	<pre>INDEX TIME hh:mm:ss ↑↓ 12:34:56 ESC ← →</pre>

4.5.2.2: After Time Indexing

As shown above, selecting the **After Time** indexing type displays the number of minutes each bottle will be positioned under the sampling chamber. You can then use the numeric keys to change that setting, and pressing the SEL [F3] or Enter key will again save the displayed value (changed or not) and display the Program Configuration menu with its next group selected:



4.5.2.3: Real Time Indexing

As shown on the previous page, selecting **Real Time** indexing displays the time of day at which timed-indexing of the bottle carousel is to begin (Appendix A.3.3.2.4):

- Press the Previous [F2] or Next [F3] key to move the underline cursor (which initially selects the first digit of the hour for editing) one digit left or right.
- Press the appropriate numeric key to set the selected digit and automatically move the cursor to the right, OR Press the Up or Down key to increment or decrement that digit, then press the Previous [F2] or Next [F3] key to manually move the cursor.
- Press the ESC [F1] key to cancel any changes and redisplay the Index Type screen.

Pressing the Enter key will then save the displayed time and display the number of minutes each bottle will be positioned under the sampling chamber from that time forward:



You can then use the numeric keys to change that indexing interval, and press the SEL [F3] or Enter key to save its displayed value (changed or not) and display the Program Configuration menu with its next group selected:



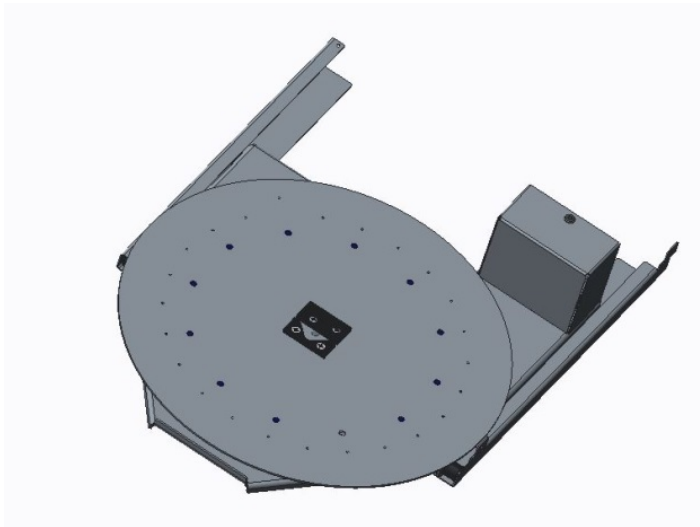
4.5.3: Installing Sequential Drive Table: (Platinum Only)

1. When installing the sequential drive assembly in the refrigerator the drive motor should be located on the right back corner. Set the left side down on the sampler floor and then lower the right side down.
2. Fasten the drive table down with the three screws that were provided with the table.

3. Connect the black table connector to the connection located inside the top right of the sampler compartment.
4. Install and position the discharge tube.
5. Go to the program menu and enter in the Bottle Opt. Menu. Select the bottle configuration that you have. Then exit the menu to the program Run screen. The table will advance to bottle one. After the turntable has stopped, align the discharge tube to the center of bottle one.

Note

An incorrectly installed discharge tube can cause the sample to miss the bottle and may leak. Do not try to manually rotate the sequential table. This may damage the drive system. Manually rotate the discharge tube to the center of bottle number one after the table has stopped.



Turntable

Figure 4-1: Platinum

4.5.4: Remove Sequential Sample Bottles (Platinum only)

After the program is complete the bottles can be removed and prepared for the laboratory.

1. Gain access to the bottles by releasing the door latch and swinging the door open.
2. The bottles can then be removed from the rack by sliding the sequential table forward until it stops.
3. Lift the bottle rack and remove it from the sampler. *Rotate the distributor tube out of the way if needed.

Jog Feature:

When the program is in the **DONE** or **STOP** mode the sequential table has a **jog feature** that allows the table to rotate 90°. This feature will allow easy access to the sample bottles when loading or unloading the 15 liter bottles. To activate the jog feature push the **0** button and the table will jog 90°.

When the bottles have been installed, slide the table back in the refrigerator. Align the discharge tube (if adjustable) to the center of bottle after the indexing table has located bottle 1.

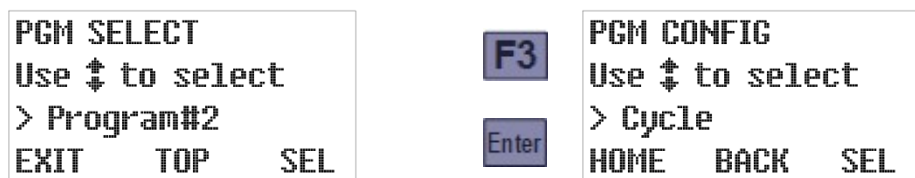
Removed bottles should be capped and labeled according to the protocol established by your laboratory.

4.6: Program Run Options

This group includes the parameters that configure the following features:

- automatic rerun (Chapter 4.6.1)
- delayed starting (Chapter 4.6.2)
- float enable (Chapter 4.6.4)
- fault enable (Chapter 4.6.3)
- timed stop (Chapter 4.6.5)
- bottle limit override (Chapter 4.6.6)

To directly access those parameters, select the program you want to configure (Chapter 4):



Press the Up key twice to scroll to the Program Configuration menu's Run Options group, then press the SEL [F3] or Enter key again to display that group's first setting:



4.6.1: Automatic Rerun

By default, the sampling program must be manually reset each time it stops, which indicates to the controller that the sample containers have been emptied. If you configure a Start Event (Chapter 4.6.1) to repeatedly start and stop the sampler, enabling the Automatic Rerun parameter as well would enable the program to restart without being reset.

⚠ You should not enable this parameter unless you are scheduling automatic weekly start events.

To view and optionally change this setting:

1. Select the Run Options group to display this parameter's current value (see above).
2. If desired, press the Up or Down key to toggle it on or off, then press the SEL [F3] or Enter key to save the displayed value (changed or not) and advance to the next Run Options group parameter.



4.6.2: Delayed Start

By default, starting a sampling program will immediately initiate its interval timers. If it is set up to draw samples at one hour intervals, for example, the first will be taken one hour after the program is started. You can configure it to wait longer than that by setting a non-zero start delay. Other methods of delaying the first sample are to use the Float Enable parameter (Chapter 4.6.4) schedule regular automatic Start Events (Chapter 5.3.3) or manually set up one-time Timed Starts (Chapter 5.3.1).

To view and optionally change this setting:

1. Accept or change the Auto Rerun setting, which will display this parameter's current value.
2. If desired, type a new delay duration by pressing the corresponding numeric keys. When you type the first digit, the old value is erased and the F1 prompt changes from HOME to UNDO. You can then press the UNDO [F1] key to start over, or the BACK [F2] or Back key to delete the most-recently typed digit.
3. Press the SEL [F3] or Enter key to save the displayed value (changed or not) and advance to the next Run Option group parameter.

To change the start delay to 360 minutes, for example:




4.6.3: Fault/Alarm Option

This parameter specifies whether the alarm relay (Appendix A.2.2) should energize when the sampling program is waiting to be reset (whether it completed normally, was manually stopped, or detected a fatal fault) or is continuing to run despite have detected a non-fatal fault.

To view and optionally change this setting:

1. Accept or change the Delayed Start setting to display this parameter's current value.
2. If desired, press the Up or Down key to toggle it on or off, then press the SEL[F3] or Enter key to save the displayed value (changed or not) and advance to the next Run Options group parameter:

The alarm output is based one of the following events: 

- **Program Done:** This event occurs when a running program has finished or the sample bottle has reach the maximum number of samples. This alarm output stays on as long as the run time display reads **PGM : DONE**.
- **Recycle:** The collection of incomplete samples by repeating the sampling cycle as many as four times. To enable or disable it:
- **Temperature Error:** The temperature has been above its set temperature for more than 30 minutes.
- **Failed Sample:** This event occurs when the sample does touch the liquid-sensor electrodes.
- **Indexing Error:** This event occurs when the sampler has an indexing failure. This condition needs corrected before the sampling program can resume. This alarm output stays on until the condition is corrected.

4.6.4: Float Option

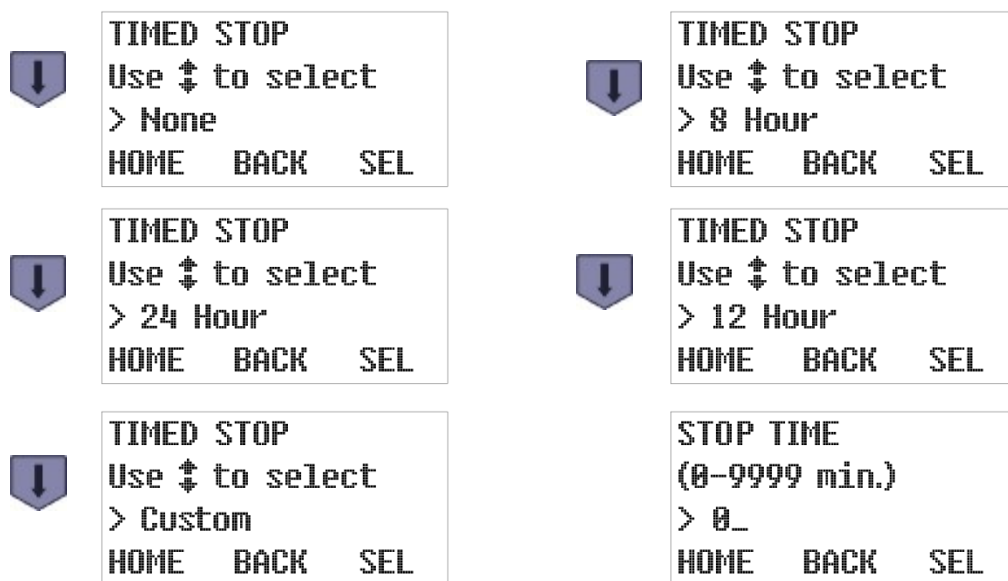
Depending if the FLOAT INPUT options have been **factory-configured**, enabling this input will configure the sampling program to delay sample collection until that circuit closes and subsequently either: **This feature is configured at the factory.**

- **Float Start:** If the FLOAT START setting is selected, the program will start with a closed contact and the program will continue sampling without interruption even if that circuit re-opens.
 - **Float Start/Stop:** If the FLOAT START/STOP setting is selected, the program will reset its sampling interval counters and not restart them until the float circuit closes again (i.e., those counters will restart from zero when the water level rises high enough to close the float switch). This feature is used for the full bottle shut off switch.
1. Accept or change the Fault Option setting, which will display this parameter's current value.
 2. If desired, press the Up or Down key to toggle it on or off, then press the SEL[F3] or Enter key to save the displayed value (changed or not) and advance to the next Run Options group parameter.

4.6.5: Timed Stop

This parameter configures the program to automatically stop a specified number of hours or minutes after it initiates its interval timers. To view and optionally change its value:

1. Accept or change the Fault Option setting, which will display this parameter's current value.
2. If desired, press the Up or Down key to scroll to the desired value, then press the SEL[F3] or Enter key to save that value (changed or not). Selecting any option other than Custom will save that value and display the next Run Option parameter's current value:



Selecting the Custom option displays a screen for setting the number of minutes the program will run before automatically stopping. The digit keys can then be used to change that setting, and pressing the SEL [F3] or Enter key will save the displayed value and display the next Run Option parameter's current value:



4.6.6: Bottle Limit Override

Each program's Bottle Options (Chapter 4.5) configure it to stop after discharging a specific number of samples into its composite sample container (or each of its discrete sample bottles), provided this parameter has its default "Program Stop" value. If you would prefer that the unit continue drawing samples indefinitely, without keeping track of how full the sample container is (or bottles are), you should instead set this parameter to "Program Continue":

1. Accept or change the Stop Time setting, which will display this parameter's current value.
2. If desired, press the Up or Down key to toggle between its two possible values, then press the SEL [F3] or Enter key to save the displayed value (changed or not) and return to the Program Configuration menu.



4.7: Program Events

Each program's scheduled events (Appendix A.3.6) are defined by a list that can be accessed via the **Program Events** group. Each event on that list has three associated values:

- the type of event (start, stop, pause, halt, resume or manually sample),
- the days of the week on which the event will be executed, and
- the time of day on those days at which the event will be initiated.

Events are consecutively numbered as they are defined, so the event numbers shown when you review the list do not indicate the order in which those events will be executed. You cannot directly access a particular event's settings, add a new event without reviewing those already on the list, or delete an event without deleting all higher numbered events as well. But you can disable an existing event (by setting it to execute on no days of the week), or replace it by changing any or all of its three settings (type, days and/or time).

4.7.1: Reviewing Scheduled Events

When you access the Program Events group, it will initially display the event type for the first event on the list (which will be **End List** if there are none). Repeatedly pressing the Enter key will then display the remaining settings for that event, followed by the settings for the second event, and so on until you reach the first undefined event (whose type will be **End List**). To review the event schedule:

1. Select the program you want to schedule events for:



2. Press the Up key to scroll to the Program Events group, then press SEL[F3] or the Enter key to display the type of the first scheduled event (**Start Time** in the example below):



3. Press the Enter key to view that event's days setting, and again to view its time setting:



The second line of the WEEKDAYS screen displays seven letters representing the days of the week, while the third displays bullets indicating the days (if any) on which the event will occur—Monday through Friday in the example to the left above.

Similarly, the second line of the EVENT TIME screen displays the program's 24-hour time (a.k.a. military) time format while its third line indicates the time on those days at which this event will be initiated—2:00 PM (1400 hours) in the example to the right above.

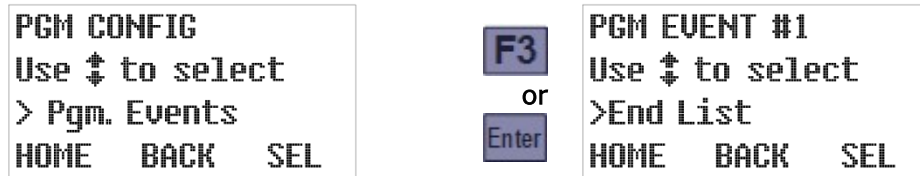
4. Continue pressing the Enter key repeatedly to review each event in turn. You can also re-examine previously-viewed screens by repeatedly pressing the Back key.
5. After you have reviewed the last listed event, the readout will indicate you have reached an event assigned the **End List** type. You can then press the Event key again to return to the Program Configuration menu, or add a new event to the end of the list (see below).



4.7.2: Adding and Editing Events

Entirely new events can only be added to the end of the list, by changing the place holder **End List** event that is displayed after you review the last existing event (see above). However, you might be able to effectively add a new one by editing a disabled event (Chapter 4.7.4). *In either case, there is no procedural difference between adding and editing an event.*

1. Navigate to the **Program Events** group and access its End List event as described above:



⚠ This example assumes no events have yet been set up. If any have, you must review them (see above) in order to access the End List event. While doing so, you can verify that the event has not been set up previously and make sure it would not be better to create it by rescheduling or otherwise editing an existing event.

2. Use the Up or Down key to scroll to the desired event type (Start Time, for example), then press SEL [F3] or the Enter key to save that selection and display the Weekdays screen:



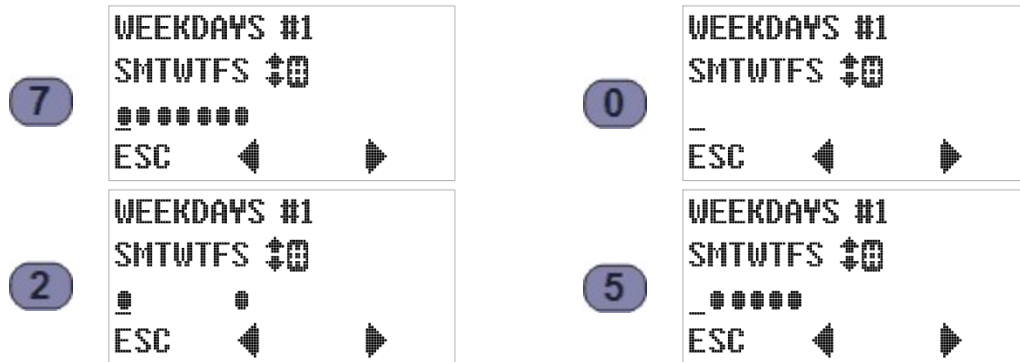
3. The third line includes an underline cursor that can be moved to a different day by pressing the Previous [F2] or Next [F3] key:



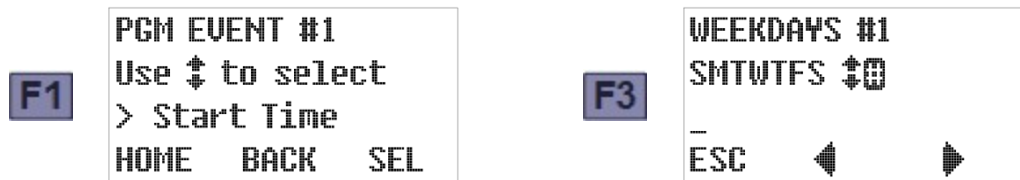
4. Pressing the Up or Down key will toggle execution on the cursor-selected weekday on or off, as indicated by the arrows prompt at the end of the second line:



- You can schedule an event to occur on a specific set of days by pressing the 7 (all days), 0 (no days), 2 (Saturday and Sunday only), or 5 (Monday through Friday) key—as hinted by the hash tag/number sign prompt at the end of the second line:



- Pressing the ESC [F1] key cancels any change(s) you have tentatively made to this setting (but not any changes made to the current event’s other settings) and restores the parent Program Event screen. For example:



- Pressing the Enter key saves the weekdays setting and displays the Event Time screen:



Again, an underline cursor indicates the digit currently subject to editing:

- Press the Previous [F2] or Next [F3] key to move that cursor one digit left or right.
 - Press any appropriate numeric key to set the current digit and advance the cursor, OR press the Up or Down key to increment or decrement the current digit (either action is recognized only if a valid time results).
 - Press the ESC [F1] key to undo any change to the displayed time and return to the Weekdays screen.
- Pressing the Enter key saves the indicated time setting and displays the first screen for the next Program.

4.7.3: Deleting Events

Events can be deleted only from the end of the list—by reviewing the settings for each event you want to keep and then changing the type of the first one you want to delete to **End List**.

✎ An event could effectively be removed from the middle of the list by disabling it, as described in the next topic.

For example, if there were eight listed events and you wanted to delete all but the first two:

1. Access the **Program Events** group as described above:

```
PGM CONFIG
Use ↑↓ to select
> Pgm. Events
HOME  BACK  SEL
```

F3

or

Enter

```
PGM EVENT #1
Use ↑↓ to select
> Start Time
HOME  BACK  SEL
```

2. Press the Enter key repeatedly until the first Event #3 screen appears, then use the Up or Down key to scroll to the End List event type:

Enter
repeat until

```
PGM EVENT #3
Use ↑↓ to select
>Stop Time
HOME  BACK  SEL
```

repeat either
arrow

```
PGM EVENT #3
Use ↑↓ to select
>End List
HOME  BACK  SEL
```

3. Finally, press SEL [F3] or the Enter key to delete this and any higher-numbered events:

F3

or

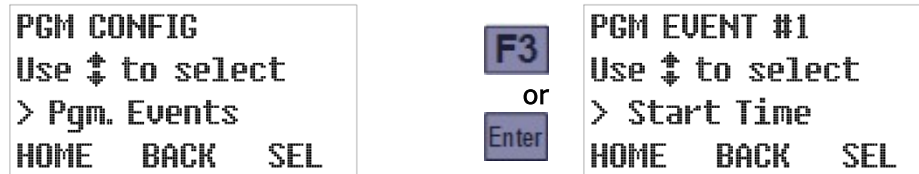
Enter

```
PGM CONFIG
Use ↑↓ to select
> Pgm. Events
HOME  BACK  SEL
```

4.7.4: Disabling Events

You can disable an event without deleting it (so you could later re-enable it), or effectively delete an event from the middle of the list, by configuring it to occur on no days of the week. For example, if there are four or more defined events but you no longer want the third one to execute:

1. Access the **Program Events** group as previously described:



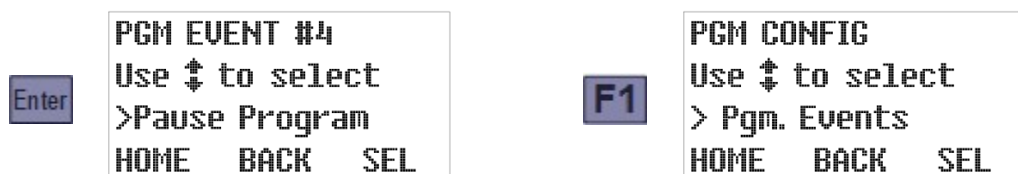
2. Press the Enter key repeatedly until the first Event #3 screen appears. The displayed event type will be irrelevant once the event has been disabled, so you need only press SEL [F3] or the Enter key to display its WEEKDAYS screen:



3. Press the 0 (zero) key to deselect all days of the week, then press the Enter key to save that change and display the event's execution time:



4. The time setting will also be irrelevant given that execution has been disabled for every weekday. So you need only press the Enter key to display the next event's type screen, from which you can exit the Program Events group by pressing HOME[F1]:



Chapter 5: Sampler Operation

Although your Refrigerated Samplers requires little or no operator intervention, its user interface panel can be used to:

- select a different sampling program (Chapter 4.1)
- start the indicated program (Chapter 5.3)
- monitor the program while it is running (Chapter 5.4)
- manually collect unscheduled samples (Chapter 5.4.3.2)
- pause and resume sample collection (Chapter 5.5)
- stop and reset the sampling program (Chapter 5.6)
- review archived sample collection data (Chapter 5.7)

That interface (see below) is mounted in the upper shell's top panel and consists of a keypad and a four-line LCD readout:

- The readout's top line identifies the selected program and displays its operating state.
- Its second and third lines display sets of status information you can cycle through by pressing the Up or Down keys to the right of the readout.
- Its bottom line indicates the functions of the F1, F2 and F3 keys.

In addition, any of the icons listed in Table 5-1 might be displayed along its right edge.

Table 5-1: User Interface Panel and Icons

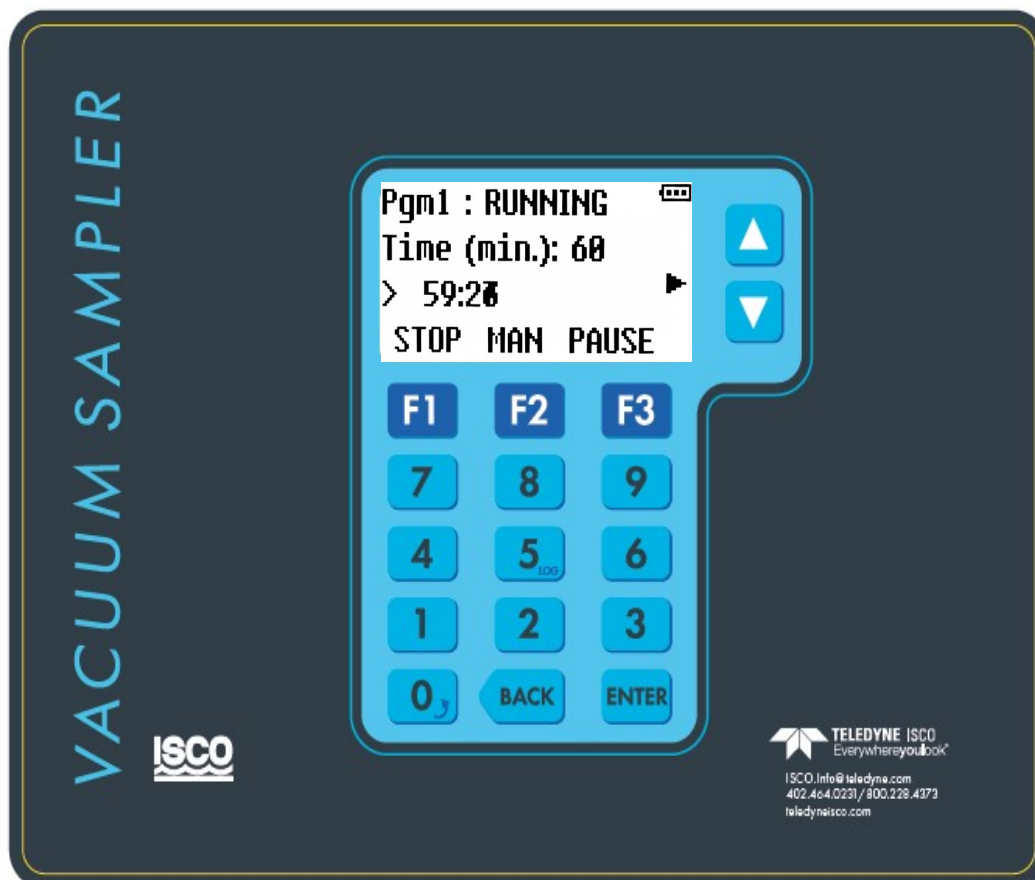

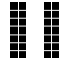








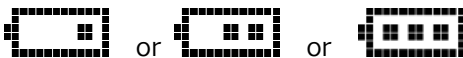


Table 5-1: User Interface Panel and Icons

	Program is Running.
	Program is Paused.
	Program will automatically start at a specified time.
	Program will automatically stop at a specified time.
	Sequential turntable is rotating.
	Recycle activated/sampling cycle is repeated.
	Alarm condition has been met.
	Temperature Alarm, displayed when temperature out of range for 30 minutes.
	Arrow up: float circuit is closed.
	Arrow down: float circuit open.
	Power supply voltage level. This will always be full for AC powered units.

5.1 : Ready State

The LCD's top line identifies the selected program and its operating state, which is "READY" while it is waiting to be started. The second and third lines display sets of additional information you can scroll through using the Up and Down keys:

If set for Time+Flow intervals, the elapsed Time and Gallons or Time and Pulses will be shown. If not, only one of them will.

```
Pgm1 : READY
Time (min.): 60
> 60:00
RUN TIMED MENU
```

Program 1 is set to sample at timed intervals. The first sample will be drawn when the program is in the Running mode. The next sample is 60 minutes from when the program started.

```
Pgm1 : READY
Gallons : 2500
> 0 : 0%
RUN TIMED MENU
```

Program 1 is set to sample at flow meter volume intervals. The first one will be drawn 2500 gallons after the program is started.

```
Pgm1 : READY
Pulses : 600
> 0 : 0%
RUN TIMED MENU
```

Program 1 is set to sample at flow meter pulse intervals. The first one will be drawn 600 pulses after the program is started.

```
Pgm1 : READY
Smp1:#1
12:34:56 07/08/15
RUN TIMED MENU
```

The next sample drawn will be the first. The current time is 12:34:56. The current date is July 8, 2015.

```
Pgm1 : READY
Comp: 5 gal.
Smp1#: 0 of 168
RUN TIMED MENU
```

Program 1 is set to discharge 168 samples into a 5 gallon container.

OR

```
Pgm1 : READY
Bot1#1: 24 500
Smp1#: 0 of 4
RUN TIMED MENU
```

Program 1 is set to discharge 4 samples into each of up to 24 500 milliliter bottles

```
Pgm1 : READY
Temp.: 4.2 °C
Power: 15.6 V
RUN TIMED MENU
```

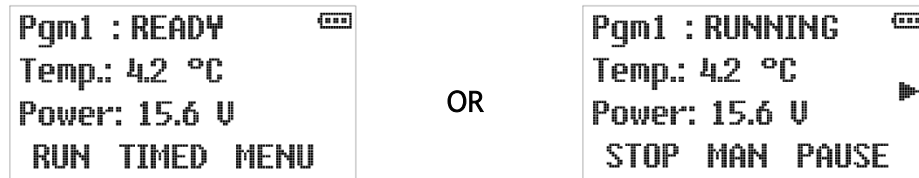
The current sample storage compartment temperature is 4.2 degrees Celsius and the control system power supply is providing 15.6 VDC power.


When the program is waiting to be started:

- Pressing the RUN[F1] button starts it immediately.
- Pressing the TIMED [F2] button allows you to set the date and time at which it will start.
- Pressing the MENU [F3] key will activate the menu system, from which you could select a different program (Chapter 4.1).

5.2: Sampler Conditions

The approximate control system power supply voltage is always indicated by a battery icon in the upper right corner of the user interface readout, and you can scroll to a screen that displays that voltage and the current sample storage compartment temperature:



A fault icon will also be displayed if any of the following fault condition exists: 

- Sampling has been suspended because the float input circuit is open;
- Indexing Error has occurred.
- Bottle full or program complete.
- The most recent sample cycle failed to trigger the liquid-sensor.
- The storage compartment has been above its intended temperature for at least 30 minutes (this will also be indicated by displaying a °C icon).

Those conditions will also energize the Alarm Relay (if enabled), which is also energized when the program is waiting to be reset after completing normally, being manually stopped, or failing to determine the position of the sequential-sampling turntable.

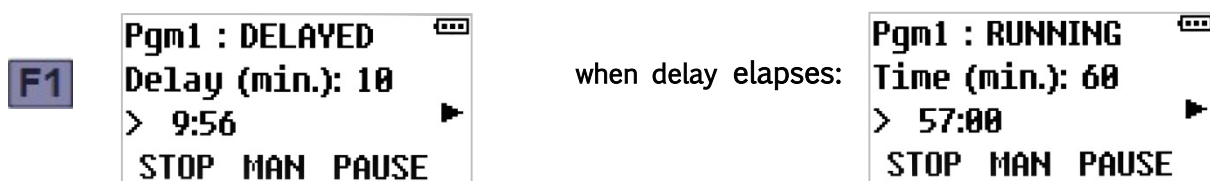
5.3: Starting the Selected Program

When the control system is in its Ready state:

- Pressing the RUN [F1] key starts the selected sampling program. The first sample will be taken once the turntable reaches home position or a programmed delay has timed out. However, it might not begin sampling until a time delay elapses, a stream-level float switch closes, or a scheduled time arrives.
- Pressing the TIMED [F2] key allows you to set a timer that starts that program at a specified time and date (see Timed-Delay Starting below). Any configured time or float-input delay would further delay the first sampling interval.
- Pressing the MENU [F3] key will activate the menu system (Chapter 3.1). You could then select a different program using the Program Menu (Chapter 4), although you might first need to enter the administration password ((Chapter 3.2.2)

5.3.1: Timed-Delay Starting

The interval counter(s) will not start until the start delay (if non-zero) has elapsed. In the meantime, the operating state will display as DELAYED and the first information screen will indicate the progress of that delay:



5.3.2: Float-Delayed Starting

If the float input is enabled (Chapter 4.6.4), the sampling program will not start its interval counter(s) until the float-switch circuit is closed (Appendix A.2.6). Those counter(s) will remain at zero as long as the float icon points down and start accumulating when it points up (think of this icon as a thumbs-up or thumbs-down indicator):

```
Pgm1 : FLT START
Time (min.): 60
> 60:00
STOP MAN PAUSE
```

Closed Contact

```
Pgm1 : RUNNING
Time (min.): 60
> 59:20
STOP MAN PAUSE
```

Open Contact

Depending on which of the Factory Menu float input options is enabled, the sampler will either continue or suspend sampling (Chapter 5.5.1) when the float-switch circuit reopens.

5.3.3: Timed Starting

The selected program can also be started by pressing the TIMED [F2] key, which displays the first of two screens from which you specify the date and time at which you want it to start:

```
Pgm1 : READY
Time (min.): 60
> 60:00
RUN TIMED MENU
```

F2

```
START TIME
mm/dd/yy
01/23/15
ESC
```

That screen initially displays today's date. Leave it unchanged or:

- Press the Previous [F2] or Next [F3] key to move the underline cursor (which initially selects the first digit of the month for editing) one digit left or right.
- Press the appropriate numeric key to set the selected digit and automatically move the cursor to the right, OR
Press the Up or Down key to increment or decrement that digit, then press the Previous [F2] or Next [F3] key to manually move the cursor.
- Press the ESC [F1] key to cancel the Timed Start and return to the Ready state screen.

Once the start date has been set, press the Enter key to save it and displays the time of day at which the program should start. That screen initially shows the current time, which can be changed using the same methods as the date. Use F2 and F3 to select a digit you want to change, then press the Up or Down arrow or a numeric key to change that digit as desired. Finally, press Enter to initiate the TIMED operating state discussed in the following section:

```
START TIME
hh:mm:ss
14:00:00
ESC
```

Enter

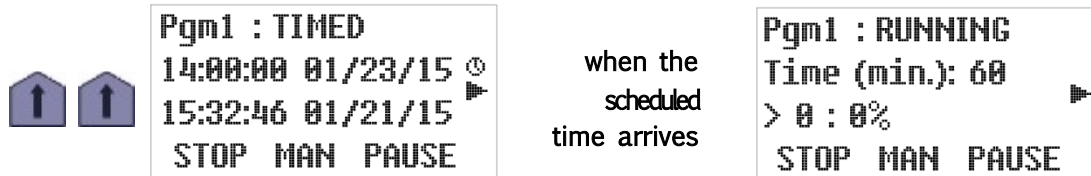
```
Pgm1 : TIMED
14:00:00 01/23/15
15:32:46 01/21/15
STOP MAN PAUSE
```

5.3.4 : Timed State

The Timed operating state is entered when the selected program is:

- set to start at a specified time and day (see previous section), or
- configured to start (or restart) at scheduled times on specified days of every week and then manually started by pressing the RUN [F1] key (see next section).

The run-time screens will then display a clock icon and you can scroll to an additional screen that shows the time and date at which the interval counters will start. The following example of that screen indicates sampling will begin in approximately two days:



When that time arrives, the program proceeds as if you had just pressed the RUN [F1] key:

5.3.5 : Scheduled Starting

Each program can be configured to start (or restart) at scheduled times on specified days of every week. Manually starting such a program will initiate its Timed operating state (see above). When the scheduled time arrives, the program will proceed as if you had just pressed the RUN [F1] key.

When that program completes or is stopped, it will have to be reset before the next start event can restart it unless it is also configured for automatic restarting. If it is, it will instead reset itself and then enter its Auto Rerun state, which is identical to the Timed state described above except the displayed state would be AUTO RERUN instead of TIMED:



When this screen first appears, the sample containers should be replaced with empties.

5.4: RunningState

Once the selected program has initiated its sampling-interval counters, the readout's top line displays its operating state as "RUNNING". The second and third lines display scrolling sets of additional information similar to those available in the Ready state:

If set for Time+Flow intervals, the elapsed Time and Gallons or Time and Pulses will be shown. If not, only one of them will.



```
Pgm1 : RUNNING
Time (min.): 60
> 57:00
STOP MAN PAUSE
```

Program 1 is sampling at timed intervals. The sample will be drawn after a 60 minute interval and the time interval counts down.

```
Pgm1 : RUNNING
Gallons : 2500
> 1048 : 42%
STOP MAN PAUSE
```

Program 1 is sampling at measured flow intervals. The next one will be drawn after a 2500 gallon interval that started 1048 gallons ago (42 percent elapsed).

```
Pgm1 : RUNNING
Pulses : 600
> 253 : 42%
STOP MAN PAUSE
```

Program 1 is sampling at flow meter pulse intervals. The next one will be drawn after a 600 pulse interval that started 253 pulses ago (42 percent elapsed).



```
Pgm1 : RUNNING
Smp1:#8
12:34:56 07/08/15
STOP MAN PAUSE
```

The next sample will be the eighth (#8) drawn by the current program run. The current time is 12:35:45. The current date is July 8, 2018.

sample container screens (Chapter 5.4.2)

start timer (Chapter 5.3) or stop timer (Chapter 5.6) screen



```
Pgm1 : RUNNING
Temp.: 4.2 °C
Power: 15.6 V
STOP MAN PAUSE
```

The current sample storage compartment temperature is 4.2 degrees Celsius and the control system power supply is providing 15.6 VDC power.

When the indicated program is running, the top row keys are assigned the following functions:

- Pressing F1 will immediately stop the program (Chapter 5.6).
- Pressing F2 will immediately trigger the collection of a manual sample (Chapter 5.4.3.2).
- Pressing F3 will pause the sampling (Chapter 5.5).

5.4.1 : Sampling Intervals

As shown on the previous page, the second and third lines of the primary run-state readout will depend on whether the selected program is configured to draw samples at the end of elapsed time (minutes) or stream flow (gallons or pulses) intervals.

If the program has been configured to sample at the ends of flow intervals with a time limit, both screens will be displayed—you can then use the Up and Down keys to scroll between them. When either interval counter reaches 100 percent, both counters will be reset as an automatic sampling cycle is initiated.



5.4.2 : Sample Container Screens

Unless the No Limit option (Chapter 5.6) has been enabled, the controller will keep track of the total number of samples discharged to each sample container. The following run-state screens indicate which containers are installed and how full they are:

- These screens are for a composite-sampling 5 gallon container:

```
Pgm1 : RUNNING
Comp: 5 gal.
Smp1#: 7 of 168
STOP MAN PAUSE
```

Seven of the 168 samples the program is configured to deposit into the 5 gallon container have been collected so far.

```
Pgm1 : RUNNING
Bot1#1: 24 1000
Smp1#: 2 of 4
STOP MAN PAUSE
```


Sequential sampling with 24 1000 ml bottles. Bottle #1 positioned to receive the next sample. There is 2 samples out of 4 deposited into the bottle.

The container size is shown in either liters or gallons, depending on the Administration Menu Units setting (Chapter 3.2).

A broken-arrow icon along the right side indicates the carousel is being rotated to the indicated bottle. The program will stop and set its alarm relay if it cannot operate the turntable or determine its position:

<pre>Pgm1 : RUNNING Bot1#2: 24 500 Smp1#: 0 of 4 STOP MAN PAUSE</pre>	if	unable to rotate to intended position	<pre>Pgm1 : ERROR Indexing Table Index Error RESET</pre>
---	----	---	--

If the program is configured to advance the carousel at specified time intervals, you can also scroll to an additional run-time screen displaying the progress of the current interval:

	<pre>Pgm1 : RUNNING Index : 120 min. > 100 : 90% STOP MAN PAUSE</pre>	when the indexing interval elapses	<pre>Pgm1 : RUNNING Index : 120 min. > 0 : 0% STOP MAN PAUSE</pre>
---	--	---	---

When replacing the sample container(s) with empties, you would normally stop the program (if it was still running), reset it to zero the accumulated sample total(s), and then restart it. If the No Limit option is enabled, the controller does not track the total number of samples, that screen is not displayed, and there is no need to stop and reset the program when changing out the containers—**be sure to empty them before they overflow!**

5.4.3 : Sampling Cycle

Figure A-2 illustrates the full CVE sampling cycle, which can be configured to include up to four optional **line rinses** and an optional **line pre-purge**. When the running program triggers that cycle (or a manual sample is initiated), the optional Run-Status output is set, the displayed state will change to “SAMPLING” and the second and third lines of the readout will report the progress of the sampling cycle (which requires no operator participation):

- If line rinsing is disabled, the program will simply purge the sampling line before suctioning in the intended sample.
- Otherwise, each enabled rinse first blows the line clear and then partially fills it with wastewater. The sample is drawn after the line is purged to complete the final rinse.

When the sample is initiated	<pre>SAMPLING rinse press... sec: 14 STOP</pre>
followed by	<pre>SAMPLING rinse vac... sec: 10 STOP</pre>

These two screens are displayed only if one or more optional rinse cycles have been set up

when the
final rinse
(if any) is
completed

```
SAMPLING
prepurge...
sec: 12
STOP
```

Any accumulated or rinse water purged out of the intake line.

```
SAMPLING
size: 25 sec
sec: 15
STOP
```

The sample is drawn into the chamber until it reaches the liquid-sensor electrodes. If recycle is enabled, another sample attempt will be triggered if the timer elapses before water reaches the electrodes.

post-purge
counts down

```
SAMPLING
postpurge...
sec: 25
STOP
```

Excess water is purged back out of the sampling chamber and the intake line is purged clear.

```
SAMPLING
discharge...
sec: 12
STOP
```


The pinch valve opens so the sample can drain into the container.
Sample is discharged into its intended container.

Final purge will purge the sample chamber of any excess sample.

5.4.3.1 : Incomplete Sample Recycling


If the sample seconds timer elapses before the chamber fills to the liquid-sensor level, a failed sample error will be indicated:

- If “recycling” is disabled, the error screen is displayed for only a few seconds, after which the line is purged and the incomplete sample is discharged.
- If it is enabled, a recycling icon is displayed while the prepurge and vacuum steps are repeated. When the chamber finally fills, or the fourth recycle fails, the line is purged and the sample is discharged.

if the target weight is not reached	<pre>SAMPLING failed sample please wait... STOP</pre>	If recycling is enabled	<pre>SAMPLING failed sample please wait... STOP</pre> 
when sample is completed or aborted	<pre>SAMPLING postpurge... sec: 25 STOP</pre>	post-purge counts down	<pre>SAMPLING read weight... sec: 4 STOP</pre>

5.4.3.2 : Manual Sampling

Pressing the MAN [F2] key while the selected program is running will trigger the immediate collection of an unscheduled sample using the configured sampling cycle discussed above:

<pre>Pgm1 : RUNNING Time (min.): 60 > 57:00 STOP MAN PAUSE</pre>		<pre>SAMPLING loadcell init... sec: 2 STOP</pre>
---	---	--

That sample will then be discharged to the bottle meant for the next automatic sample, and counted toward the number of samples the program is configured to put into that bottle. If it fills that bottle, the next one will be rotated into place (sequential-sampling units) or the sampling program will be stopped (composite-sampling units).

If an automatic sample would otherwise have been triggered during the manual cycle, the following screen will be briefly displayed:

<pre>SMPL. INTERVAL Sample Blocked >Wait ESC</pre>

Blocked samples ARE NOT DRAWN when the manual sample is completed.

5.5: Paused and Halted States and Grab sampling

If you press the PAUSE [F3] key while a program is running, it will immediately enter its PAUSED state. Programs can also be configured to automatically pause and resume at scheduled times.

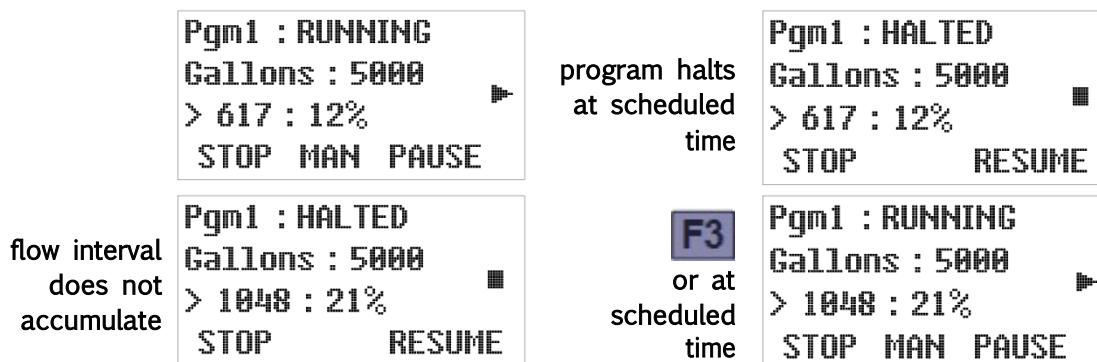
While the program is paused, the run icon is replaced by a paused icon. The sampling interval will continue to accumulate, but no samples will be taken until the RUNNING state is restored by pressing the RESUME [F3]key:



Notice: The interval continues to accumulate when the program is paused.

Programs can also be configured to halt and resume at scheduled times. The resulting Halted state is similar to the Paused state, except that any configured flow intervals will not continue to accumulate.

While the program is halted, the running icon is replaced by a halted icon (as shown below). The Running state is often automatically restored at a scheduled time, but in any case can be manually restored by pressing the RESUME [F3]key:



You can stop the program or take manual samples while automatic sampling is paused or halted. If the configured sampling interval reaches 100 percent one or more times, the following screen will briefly appear:

```
SMPL. INTERVAL
Sample Blocked
>Wait
ESC
```

⚠ *Blocked samples are not drawn when the paused or halted program is resumed.*

5.5.1 Grab Sampling

- 1) A Grab sample (volume test sample) can be taken at any time while the program is running.



- 2) When the program is running, push PAUSE (F3). Then push GRAB (F2) to enter the grab sampling mode.
- 3) Grab Smpl. Size: Use the sample volume the current program is running or adjust the intake tube to change the sample volume.



- 4) When Grab sampling is done push the F1 Stop and then F3 continue. The program will return to the pause screen. Pushing Restart F3 the program will return to the Run screen. Make sure the discharge arm is directly above the sample bottle when GRAB sampling is completed.



Note

The grab sample that is collected while a program is running is not counted as part of the number of samples in the running program.

5.5.2 Sample Calibration

To properly calibrate the sample volume prior to running a program, you must go to MAIN MENU and scroll to CALIBRATE. Press SEL (F3) to select the Calibration Menu item. Adjust the intake tube to the desired sample size and proceed to Calibrate. If the sample volume is not correct after calibration #1 adjust the intake tube (down for less and up for more sample).

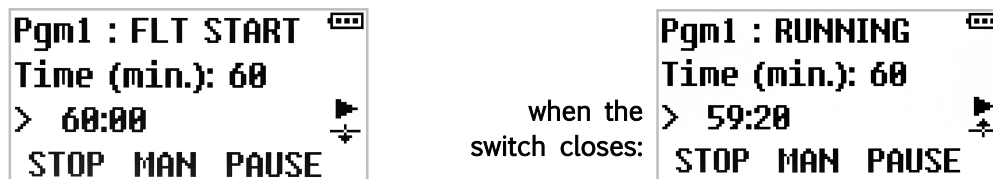
- Calibrate #1 is displayed. Press START (F3) to take a calibration sample. Discard the sample and proceed to CALIBRATE #2. There is a maximum of 3 Calibration iterations..
- Discard the calibration samples and press CONTINUE (F3) to exit back to MAIN MENU. Press HOME (F1) to return to Pgm: READY screen.

Note



If you skip the above calibration steps, the sampler will need to be calibrated when the program is running and use the manual button to take samples while calibrating or go to GRAB sampling.

5.5.3 : Float Suspended Sampling

If the Float Option (Chapter 4.6.4) is enabled and factory-configured (Chapter 2.6.1) to suspend sampling when that input is cleared, the interval counters are held at zero whenever the float switch is open: This option is used with the full bottle switch.

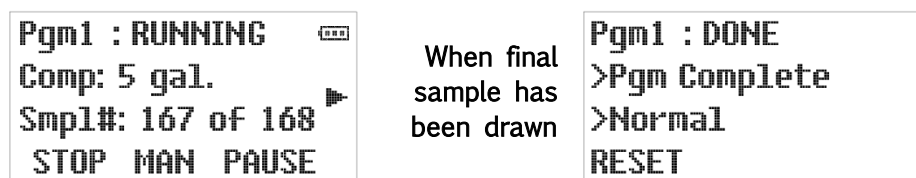


Note that the float icon points down when the float-switch circuit is open (sampling suspended) and up when that circuit is closed (sampling resumed). This can be remembered by thinking of this icon as a thumbs-up or thumbs-down indicator:

-  indicates the stream depth is insufficient to sample/ Full container
-  indicates the stream depth is sufficient to sample / Empty container

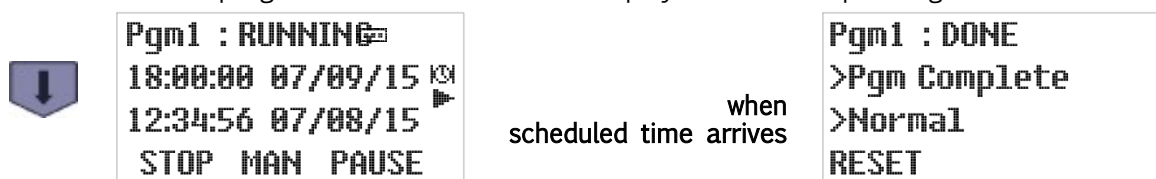
5.6: Stopping the Program

The running program might have been set up to take a specific number of samples and then stop, in which case it would then display the following DONE operating state screen:



Prior to resetting the program, you can scroll to the other run-time screens. For example, you could to the screen that tells how many samples were collected.

Alternately, it might have been set to only run for a specified length of time or to stop at a specific, scheduled time. If so, it displays a timed stop icon above the running icon (as shown below) and you can scroll to an added RUNNING screen whose second line shows the time and date at which the program will shut down and display the DONE operating state screen:



In either case, the program can be prematurely stopped by pressing the STOP [F1] key, after which it would then display its STOPPED screen:



The RESET prompt indicates you cannot restart the program until you press the F1 key to zero its interval and container volume counters and advance it to its READY state.

5.6.1: Continuous Operation

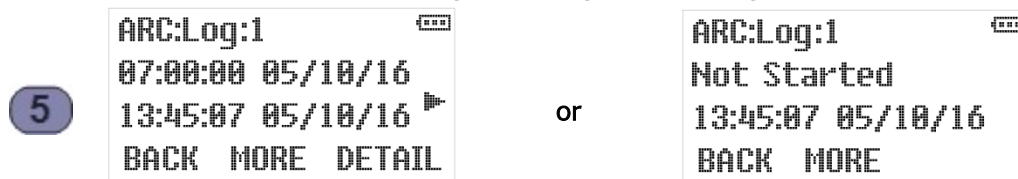
If the Bottle Limit option (Chapter 4.6.6) is set to “Program Continue”, the program will ignore its samples per bottle setting and continue sampling indefinitely, without requiring anyone to ever press the RESET [F1] key.

Because the sampling program will then have no way of knowing how many samples it has discharged since the container was last emptied, the sample count screen (Chapter 5.4.2) will merely indicate “NL” (no limit).

5.7: Reviewing Archived Data

The sampler store time stamped records of each sample they draw, separated into individual log files for each sampling run (i.e., one log file for each time any sampling program has been run).

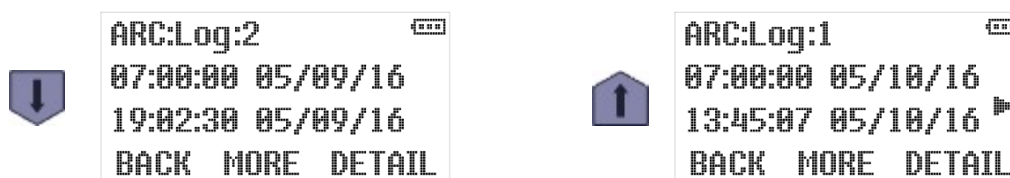
That archived data can be reviewed from the user interface panel by pressing the **5** key when the selected program is RUNNING or READY mode, but not while the Administration or Program menu is active. The first line of the resulting display will indicate you are viewing log file 1, in which data for the current (or pending) sampling run is being (or will be) recorded:



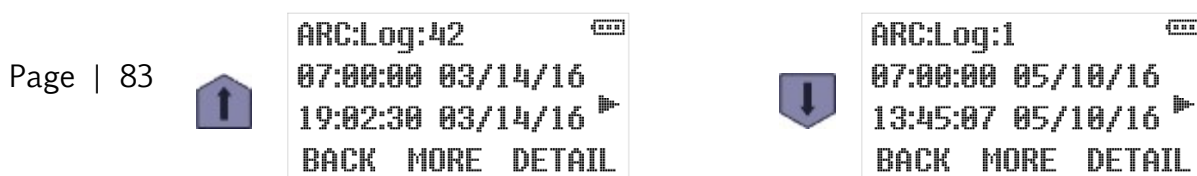
The second line of that display indicates the date and time at which the selected program was started, while the third line displays the date and time at which you started viewing its log file. For example, the screen shown to the left above indicates the currently running program was started at 7:00 AM on May 10, 2016, and the data archive was opened at about 1:45 PM that same day. If the program had not yet been started, the screen shown to the right above would be displayed.

- ✎ *The icons along the right edge of the screen will continue to indicate the current status of the selected program (see Table 5-1 Chapter 5).*
- ✎ *The DETAIL prompt for the F3 key appears only for log files that contain one or more sample and/or exception records.*

Pressing the Down arrow would then access the first log file screen for the second-most recent sampling run (log 2) and display the times and dates at which that sampling run was started and stopped. For example, the display shown to the left below indicates the prior sampling run was initiated at 7 AM on May 9, and concluded about 12 hours later:



You can use the Up and Down keys to scroll through the available log files. Pressing the Up key while viewing the newest will access the oldest, pressing the Down key while viewing the oldest will access the newest. The sample screen shown to the left below indicates 42 log files are currently available, the oldest of which was recorded on March 14, 2016:



Use the Administration Menu's Clear Archive option (Chapter 3.2.4) to erase the log files.

Press the MORE [F2] key repeatedly to view the following additional information about each log:



F2	<pre>ARC:Log:1 07:00:00 05/10/16 12 smp1s rc BACK MORE DETAIL</pre>	<p>number of samples collected (rc appears only if some samples required recycling)— this example indicates the sampling run that commenced at 7:00 AM on May 10 collected 12 samples]</p>
F2	<pre>ARC:Log:1 Composite 1 5 gal. BACK MORE DETAIL</pre>	<p>type, number and size of the containers to which those samples were discharged</p>
F2	<pre>ARC:Log:1 07:00:00 05/10/16 2 excepts BACK MORE DETAIL</pre>	<p>number of exceptions that occurred during that sampling run (the DETAIL prompt for the F3 key appears only if it is not zero)</p>
F2	<pre>ARC:Log:1 07:00:00 05/10/16 2 recycs. BACK MORE DETAIL</pre>	<p>number of times the incomplete sample recycling feature was triggered during that sampling run (the DETAIL prompt for the F3 key appears only if it is not zero)</p>

Pressing the DETAIL [F3] key while viewing any of a log file's first three screens will display the number of samples it deposited into its first (or only) sample container. For example:

F3	<pre>ARC:Log:1 11:01:52 07/24/18 3 smp1s BACK MORE DETAIL</pre>
-----------	---

Where the rc notation will be present on the third line only if the incomplete sample recycling feature was triggered for at least one of the samples deposited into that bottle. The left screen above is displayed by sequential samplers, in which case repeatedly pressing the MORE [F2] key would reveal how many samples were deposited into each of the other sample containers. The right screen, which does not display the MORE prompt, is displayed by composite samplers.

Pressing the DETAIL [F3] key while any sample container's screen is active would display the time stamp and programmed vacuum time for the first sample. You could then display the same information for each of the other samples in to that container by repeatedly pressing the Up and/or Down keys:

 	<pre>ARC:B1:S1 09:39:57 09/07/18 25 sec rc 2.9 °C BACK</pre>
--	--

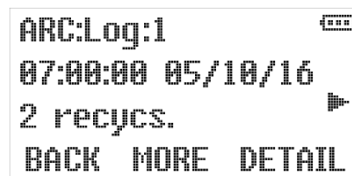
The example screens shown above indicate the first two samples were drawn at 8:00 and 9:00 AM, respectively. The “rc” notation on the sample 2 screen indicates the sample chamber did not fully fill on the first attempt, thus triggering the incomplete sample recycling feature. The cabinet temperature is stamped with each sample.

If a log file’s fourth screen indicates one or more exceptions were encountered, pressing its DETAIL [F3] key will display the timestamp and type of the first such exception detected during that program run. For example:



The screen shown to the left indicates that the program run that commenced at 7:00 AM on May 10 encountered two exceptions. The screen on the right indicates the first of them was an electrical power loss at about 9:25 AM on that same date.

If a log file’s fifth screen indicates one or more samples required more than one vacuum phase to collect the intended volume, pressing its DETAIL [F3] key will display the record for the first such sample. You could then display the records for the other recycled samples by repeatedly pressing the Up and/or Down keys. For example:



The screen above indicates that two of our example program’s sample cycles needed more than one vacuum attempt to fill the sample chamber.

Chapter 6: Maintenance

This section describes how to maintain your sampler. If you think your sampler requires repair, or if you have questions concerning its operation or maintenance, contact your authorized Teledyne ISCO service facility or Technical Service Department:

Phone: (800) 228-4373
(402) 464-0231
FAX: (402) 465-3001
E-mail: IscoService@teledyne.com

6.1 : Periodic Maintenance Checklist

Perform maintenance as needed.

- Clean or replace the wetted parts (bottles, suction line, strainer, sample chamber, discharge tube).
- Clean the sampler when needed.
- Keep the refrigeration air vents clean and free from obstruction of air flow.

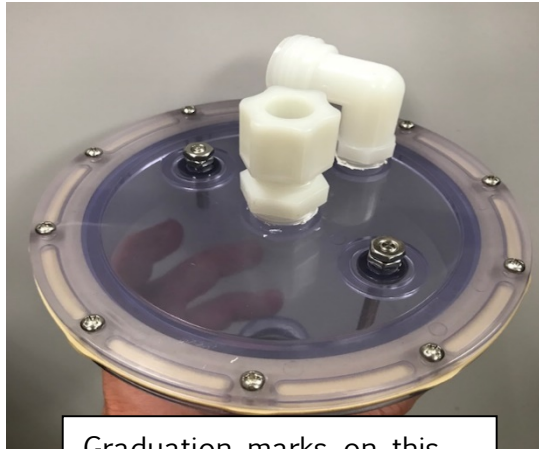
6.1.1 : Sample Chamber Removal:

- Unscrew the white hose fittings on top of the sample chamber and disconnect the hose.
- Loosen the compression nut in the center of the chamber lid and slide the intake tube in.
- Pull the lever to loosen the set collar.
- Lift the sample chamber out of the collar.
- With chamber removed slide the intake tube out and remove the two liquid-sensor wires.
- The discharge hose will come out along with the sample chamber.

6.1.2 : Cleaning the Sample Chamber

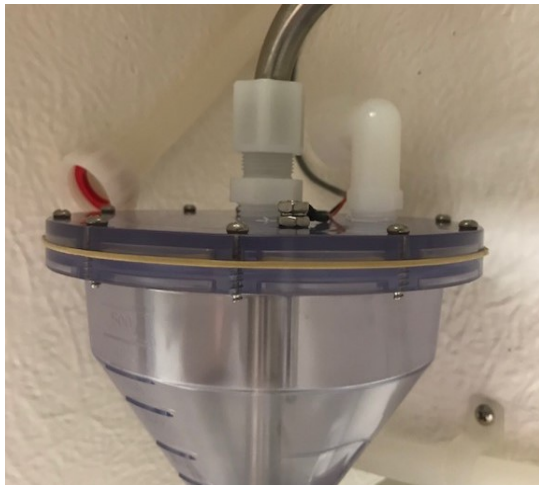
- . Stop or Pause the program
 - . Unscrew the nut from the white elbow.
 - . Loosen the compression in middle of the chamber and push the intake tube in.
 - . Remove the two liquid-sensor electrode wires.
 - . Remove the chamber by opening the lever on the set collar.
 - . Remove the 10 screws that hold the lid and chamber body together.
 - . Place the chamber parts into warm soapy water.
 - . Clean the chamber parts using a brush or sponge.
 - . Assemble the chamber using the screws. Be sure that the gasket is properly seated.
 - . Install the sample chamber back into the unit

6.1.3 : Sample Chamber Installation



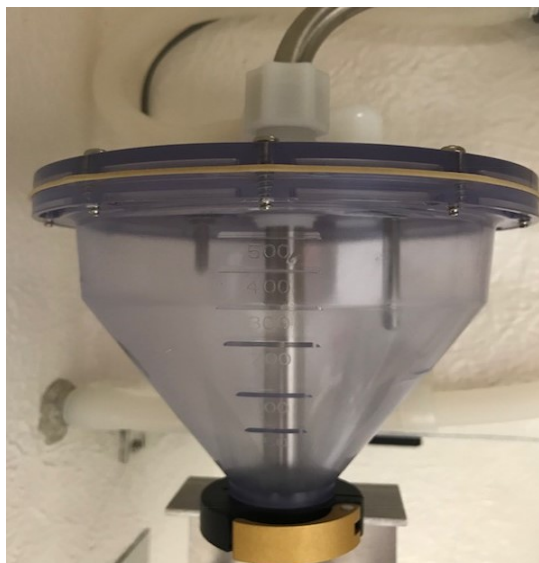
Graduation marks on this

Upon installation of the chamber, it is important the fittings are oriented as shown. Note, make sure the chamber is properly oriented with the graduation (volumetric) marks facing the sampler door opening.



Install the tubing (WW050) onto the chamber discharge fitting at the bottom of the sampler chamber and secure it with a cable tie.

Connect the two wires to the liquid sensors electrodes and slide the intake tube in the center fitting as shown.



Connect the hose fitting to the white elbow. Fit the sample chamber into the set collar as shown. Orient the graduation marks on the sample chamber body toward the front of the sampler. Tighten the set collar by pushing the gold lever in.



Slide the silicone tubing over the stainless steel intake tube and fasten the hose clamp around the tube. The tubing connecting to the sample chamber should have no kinks, just a gradual bend. The installed sample chamber should have the graduation marks facing forward. To adjust the sample volume, slide the intake tube in for a smaller sample and out for a larger sample. Make sure to tighten the compression nut around the intake tube.

6.1.4: Cleaning or Replacing Wetted Part

For general cleaning, you can wash the strainer and sample bottles with a brush and warm soapy water, then rinse with clean water. You can clean the liquid path through the wetted parts by placing the strainer in a cleaning solution and pumping it through the delivery system. Next, place the strainer in clean water and pump it through the delivery system to rinse it. If these items are severely contaminated, replace them.

6.1.5: Sample Cleaning Guidelines

Keeping the sampler clean and protected from harsh elements may extend the usable life of the sampler. When necessary, clean the exterior and interior of the sampler and sample chamber with warm soapy water and brush, then rinse with water. Be sure to use a detergent that is compatible with low-density polyethylene, polystyrene, PVC, ABS, polycarbonate and NORYL™. Avoid using strong solvents and acids.

6.1.6: Verifying the Temperature

The sample compartment temperature is displayed in the fifth operating state screen (Chapter 5.4) and recorded in the archival data. Although that measurement is calibrated at the factory, it can drift over time. So a calibrated refrigeration thermometer should periodically be used to determine how close the sampler's measurement is to being accurate and how close the sample compartment is being kept to the desired temperature.

If the actual temperature differs unacceptably from its desired value, you will need to adjust the thermostat's set point up or down accordingly (Chapter 6.2.1).

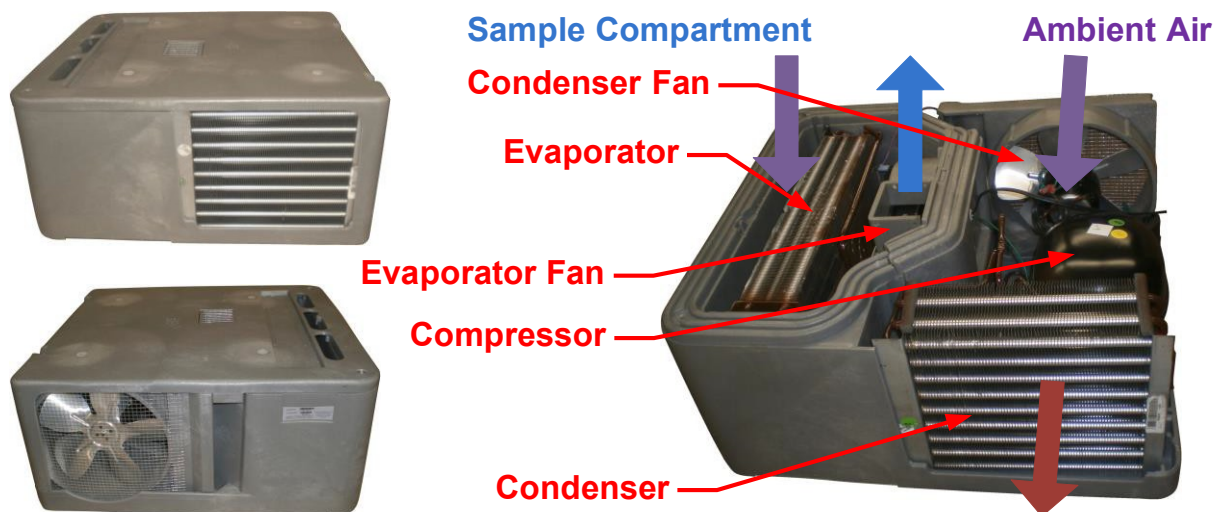


Figure 6-1: All-Weather Sampler Refrigeration Module

6.2: Refrigeration System Maintenance

The sampler's internal temperature is maintained by a packaged refrigeration module with an optional cold-climate heating element. Mounted in the lower shell, that module draws air from the back of the sample compartment, measures its temperature, cools (or heats) it as needed, and then returns it via ducts in the floor and sides of the upper shell. Ambient cooling air is drawn through the lower shell's left-side (viewed from the front) ventilation grill and blown out through the condenser and grill on the right side.

In excessively dusty environments, this module's efficiency might gradually decline due to condenser fouling—primarily on its inside surface. In such environments, you should occasionally remove the sampler's right grill and *spray low-pressure water* through the condenser to rinse accumulated dust from its coils and fins (the water will drain out the bottom of the module).



Modules exhibiting any other problems should be returned to Teledyne ISCO for repair or replacement. Spare/replacement refrigeration modules and thermostats are available from Teledyne ISCO, component-level repair parts are not.

The copper tubing in Optima refrigeration modules is coated with a phenolic resin to resist hydrogen sulfide (H_2S) corrosion. However, the high concentrations of that gas present in some areas of a wastewater treatment facility can still create pin-hole leaks after as little as a year or two of exposure. **Please take care to avoid areas of high H_2S concentration and place the sampler in favorable positions to avoid excessive exposure to corrosive gases.** Since hydrogen sulfide is heavier than air, place the sampler in higher elevation to protect from corrosion damage.

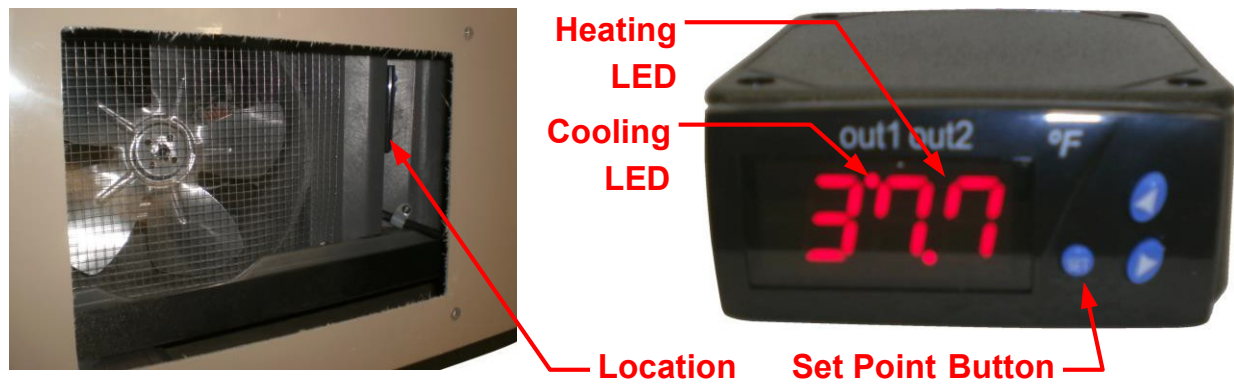


Figure 6-2: Refrigeration Module Thermostat

6.2.1 : Adjusting the Thermostat

The sample compartment temperature is regulated by a thermostatically-controlled refrigeration module, which cools and optionally heats the air it constantly circulates through the sampler to keep it at the temperature of 2.5°C (36.5°F). Its set points should be adjusted if the actual temperature determined using a calibrated refrigeration thermometer drifts from its intended value over time, or if you need to keep your samples at a different temperature.

The thermostat is mounted on the right side of the refrigeration module, and can be accessed by removing the right (door hinge side) ventilation grill (as shown above).

Its numerical readout normally displays its temperature measurement, in degrees Fahrenheit. The **out1** LED at the top of that readout (between the first and second digits) lights when it turns on the refrigeration compressor, while the **out2** LED (between the second and third digits) lights when it turns on the heating element.

The thermostat has two set points, one for cooling and one for heating:

- Out1 is energized if the temperature rises more than 3°F above the cooling set point. It is factory set to 36.5°F (2.5°C).
- Out2 is energized if the temperature falls below the heating set point and de-energized after it has been raised 0.5°F above that set point. It is factory set to 35.0°F (1.7°C).

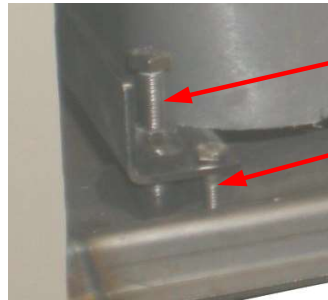
To adjust those set points:

1. Press the SP (set point) button once to display the cooling set point. The out1 LED will light to indicate that set point can then be raised or lowered by 0.1°F by pressing the up or down arrowhead button (changes take effect immediately).
2. Press the SP button a second time to display the heating set point. The out 2 LED will light to indicate that set point can then be adjusted using the arrowhead buttons.
3. Press the SP button a third time to display the current temperature and restore the normal operation of the out1 and out 2 LEDs.

6.2.2 : Refrigeration Module Removal

The refrigeration module is mounted in the stainless steel frame of the lower shell, resting on two rails that force it up against the bottom of the upper shell. Two hex-head bolts are inserted through the back end of each of those rails:

- The smaller, “positioning” bolt keeps the rear of the rail from moving to the side.
- The larger “elevation” bolt is used to raise or lower the back of the rail.



Elevation Bolt

Positioning Bolt

In addition, three upper rails (one in the front and one on each side) position the module so that its air flow ducts align with those of the upper shell, and a permanently- installed foam gasket seals those air passages between the upper and lower shell.

Use the following procedure to remove the module from the sampler:

1. Remove the four screws securing the sampler’s lower-rear access panel, then set them and that panel aside.
2. Remove the positioning bolt from each rail.
3. Lower the backs of the rails (and thus the refrigeration module) by turning the elevation bolts counter-clockwise, until the module is resting on the third, center rail.
4. Move the back ends of the side rails aside, so the module can be slide out past the elevation bolts.
5. Disconnect the power cord and slide the module out.



6.2.3 : Refrigeration Module Installation

Use the following procedure to install a new or repaired refrigeration module:

1. With the rails moved to the side, position the module on the center rail and push it as far into the cabinet as it will go—the upper rails will position it automatically.
2. Rotate the back ends of the side rails in and under the module.
3. Raise those rails and the module by turning the elevation bolts clockwise, until the foam gasket is slightly compressed.
4. Lock those rails in place by reinstalling the positioning bolts.
5. Plug the module into the 120 VAC or 240 VAC receptacle and screw the lower-shell access panel back into place.



Table Relay - 10 Amp Fuse – Transformer - Heater - Solenoid Valve - Vacuum Pump

Figure 6-3: Sampler Pump & Electrical Compartment

6.3: Compressor/Vacuum Pump

Each sampling system is equipped with one continuous-duty, permanently-lubricated, piston or diaphragm air compressor/vacuum pumps that provide long-term consistent sampling with vertical lifts of up to 28 feet. ***These pumps need no routine maintenance.***

The pump and its 4-way solenoid valve are mounted on a metal plate behind the sampler's upper rear access panel (as shown above). If your pump's performance declines unacceptably, replacement pumps and service/rebuild kits (including instructions) can be obtained from Teledyne ISCO.

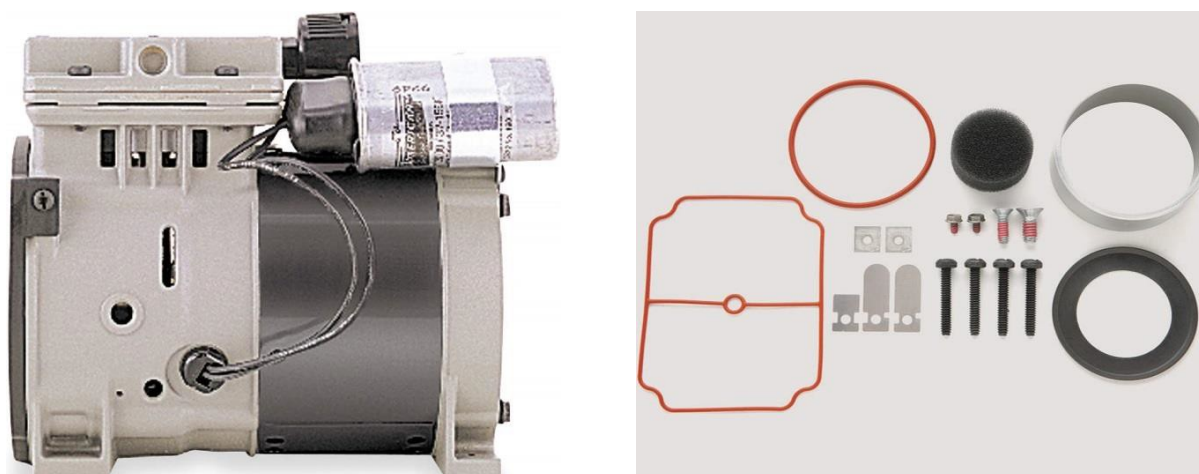


Figure 6-4: Quick Lift Compressor Vacuum Pump and Service Kit

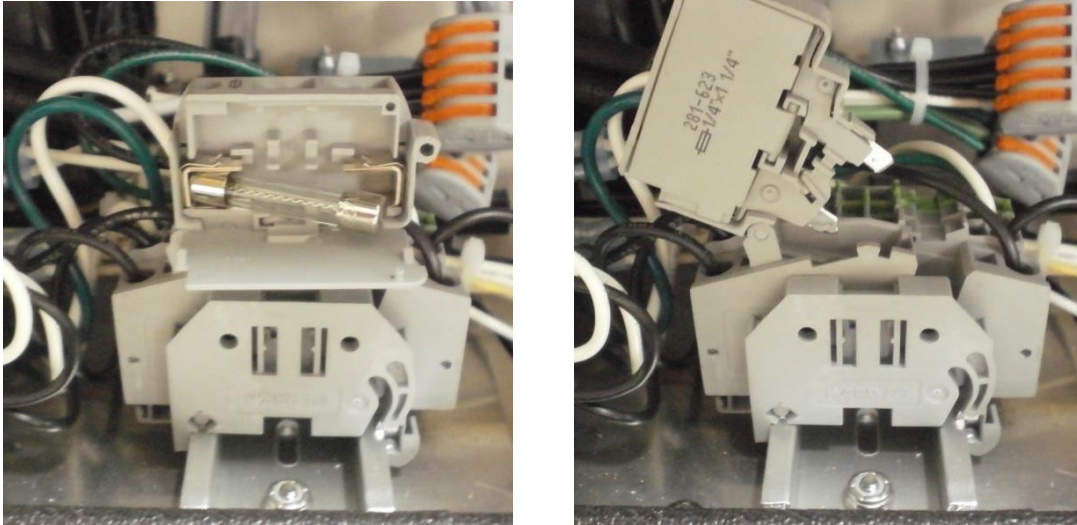


Figure 6-5: Control system fuse holder in open and tripped positions

6.4: Control System Fuse

The control system operates on 12 VAC power supplied by a transformer located in the vacuum pump compartment. Those components are protected by a fast-acting, 10A/250 V cartridge fuse whose enclosed holder is mounted next to the transformer.

As shown above:

- That fuse can be checked and/or replaced by pulling the front cover of that holder forward and down, which automatically ejects the right end of the fuse.
- The control system can be powered down by tipping the top of the holder up and to the left.
- Optional 230 VAC samplers have two 10 amp fuses.

6.5: Optional 230 VAC

All-Season Samplers designed to run on 230 VAC power are equipped with a 230V refrigeration module and a 230 VAC vacuum /pressure pump.

6.6: Troubleshooting Tips

Use the following suggestions to troubleshoot the listed problems.

1: User interface panel is dark:

- a) Press any key to turn backlight on (it turns off after two minutes of inactivity).
- b) If the screen is still dark but you can make out that it is displaying information, use the Administration Menu to adjust the backlight (Chapter 3.2).
- c) If the screen is uniformly black, make sure the sampler is powered up (you should be able to hear the fan circulating air through the sample compartment).
- d) Check the control system fuse (Chapter 6.4)
- e) Reboot the controller by briefly tripping that fuse or unplugging the sampler.
- f) If the controller is powered but its interface panel is black, the logic board is probably defective—call Teledyne ISCO for technical assistance.

2: One or more buttons never work:

- a) The logic board is malfunctioning—call Teledyne ISCO for technical assistance.

3: Readout never changes and cannot be scrolled:

- a) Reboot the controller by briefly unplugging the sampler.
- b) Controller hardware or software is faulty—call Teledyne ISCO for technical assistance.

4: Readout indicates program will automatically start at midnight, 12/31/99

- a) Stop the selected program and disable its Automatic Rerun parameter.

5: The program goes from pre purge to post purge and skips vacuum time.

- a) Check the liquid- sensor electrodes and see if they are dirty.
- b) Call Teledyne ISCO for technical assistance.

6: Readout indicates an indexing error

- a) Make sure the bottle carousel is properly installed and is free to rotate.
- b) Check the wiring for the sequential turntable.

7: Readout indicates sampling failures—too little (if any) wastewater is collected:

- a) Check the intake strainer and tubing for obstructions and make sure the intake strainer is fully submerged.
- b) Make sure the intake line is connected to the sampler's intake port.
- c) Make sure the pinch valve is energizing and seals the discharge tube.
- d) Make sure the vacuum pump and solenoid are depressurizing the sample chamber.
- e) Check for vacuum line leaks.
- f) Adjust the velocity control valve for more vacuum.
- g) Increase the sample time in the program.
- h) Check the compression nut on the intake and make sure it is tight. The height of the intake tube is correct for the sample size desired.

8: Samples are too large and/or wastewater is drawn into the pump:

- a) Make sure the liquid-sensors electrodes are clean and working.
- b) The sample intake tube is adjusted correctly and the compression nut is snug.
- c) Make sure the sample chamber empties completely after each sample.
- d) Adjust the velocity-limiting valve (Chapter 2.3).

9: Purging does not clear the intake line:

- a) Make sure the pinch valve is energizing and seals the discharge tube.
- b) Check the intake strainer and tube for obstructions.
- c) Make sure the vacuum pump and solenoid are pressurizing the sample chamber.

10: Sampling continues despite full or over-flowing container(s):

- a) Verify that the Bottle Limit option (Chapter 4.6.6) was set to “Program Stop”. If the program is set to stop make sure the maximum number of samples do not exceed the bottle limit. “Program Continue”, will override the program stop and overflow the sample containers if you fail to replace them in a timely fashion.
- b) Make sure the full bottle switch is activated and working when composite sampling. This will stop overflowing the composite containers.

11: Sample compartment temperature is too high or low:

- a) Verify that the refrigeration module and its optional heating element are cycling.
- b) Verify that the displayed temperatures are correct.
- c) Check the temperature of the air being returned to the compartment to make sure the refrigeration module is cooling.
- d) Adjust the thermostat set points.
- e) Make sure the door and lid are closed and latched.
- f) If sample compartment is too warm, verify evaporator fan is working.

Appendix A: Controller Capabilities

This appendix describes the capabilities of the sample control system firmware, in order to help you decide how best to adapt it to the needs of your sampling application.

A.1.1 Overview

The control system consists primarily of six **sampling programs** and a **supervisory routine** that executes when the sampler is first powered up and whenever the selected program is stopped.

A.1.2: Supervisory Routine (Ready State)

When the sampler is powered up, the supervisory routine briefly displays the installed firmware version number and revision letter (e.g., Version xx Revision xxx). It then indicates the controller is Ready to run. While it is operating in that state, the user interface panel can be used to:

- start the selected program immediately,
- start that program, but delay its execution to a specified future date and time-of-day, or
- display its administration and configuration menus, in order to:
 - set the sampler's configuration password and ID number, adjust its real-time clock and display panel, and manage its archival data;
 - select and configure the control program; and
 - set up certain hardware and menu system features (Teledyne ISCO personnel only).

Once the selected program has been started, the menu system functions are unavailable until it stops (or is stopped)—at which time the controller returns to its supervisory/Ready state.

- ✎ The controller administration and program configuration functions are not available while the sampling program is running.

A.1.3: Menu System Outline

The following outline lists all possible Menu System entries. Those that are actually displayed by any given sampler will depend on its hardware features, purchased options, and values assigned to related Factory and Program Menu parameters.

Main Menu

Program Menu

Program Select parameter (1|2|3|4|5|6)

Program Configuration menu (for selected program)

sampling Cycle group

Prepurge (seconds)

Sample Size (milliliters)

Postpurge (seconds)

Number of Rinses (0 to 4)

if > 0:

Pressure Time (seconds)

Vacuum Time (seconds)

Recycle (Enable/Disable)

Consecutive Samples (1 to 24)

Sample Intervals group

Sample Interval (Time/Flow, Time+Flow, Time/Bottle,
Flow/Bottle) if Time or Time+Flow:

Time Option (Time Fixed/Time Variable)

if Time Fixed:

Sample Minutes

if Time Variable:

Sample Minutes list

if Flow or Time+Flow:

Flow Type (4-20mA, 0-5V, 0-10V,

Pulses) if 4-20mA, 0-5V, 0-10V:

Maximum Gallons [Liters] Per Minute

Gallons {Liters} Option (Gallons Fixed/Gallons Variable)

[Liters Fixed/Liters

Variable] if Gallons [Liters] Fixed:

Sample Gallons [Liters]

if Gallons {Liters} Variable:

Sample Gallons {Liters} list

if Pulses:

Flow Option (Pulses Fixed/Pulses

Variable) if Pulses Fixed:

Sample Pulses

if Pulses Variable:

Sample Pulses list

if Time/Bottle:

Bottle Minutes list

- if Flow/Bottle:
 - Flow Type (4-20mA|0-5V|0-10V|Pulses)
 - if 4-20mA|0-5V|0-10V:
 - Maximum Gallons [Liters] Per Minute
 - Sample Gallons [Liters] list
 - if Pulses:
 - Sample Pulses list
- Bottle Options group
 - Sample Type (Composite/Discrete)
 - Composite:
 - Composite Size (options enabled at factory)
 - Samples per Bottle
 - Discrete:
 - Bottle Configuration (options enabled at factory)
 - Number of Bottles
 - Samples per Bottle
 - Index Type (After Bottle/After Sample/After Time/Real Time) if After Time:
 - Index Minutes
 - if Real Time:
 - Index Time (of day)
 - Index Minutes
- Program Run Options group
 - Automatic Rerun
 - Delay Start (minutes)
 - Float Option (enable/disable)
 - Fault Option (enable/disable)
 - Timed Stop (None|24Hour|12Hour|8Hour|Custom)
 - if Custom:
 - Stop Time (minutes)
- Program Events list
 - for each:
 - Program Event
 - (Start/Stop/Sample/Pause/Halt/Resume) Weekdays
 - Time (of day)

Menu System Outline (continued)

Administration Menu

- Set Language
- Set Password
- Clear Password
- Set Daylight Savings Time
(Winter/Summer) Set Clock (date & time-
of-day)
- Adjust LCD
- Download Archive
- Clear Archive
- Set ID
- Set Units (English/Metric)

Main Menu

- Program Menu
- Admin Menu
- Loadcell Menu (ISCO personnel only)
- Calibrate
- Factory Menu (ISCO personnel only)

A.2: Inputs and Outputs

As shown on the Electrical Diagram appended to this manual, the sampling controller has the following required and optional inputs and outputs:

- run-status and alarm output relays (see below)
- a turntable motor control output and two position sensor inputs (see below)
- a sample-compartment temperature input (Appendix A.2.4)
- one analog and one discrete-pulse flow input (Appendix A.2.5)
- a float-switch input (Appendix A.2.6)
- the sample chamber's liquid-sensor controller (Appendix A.2.7)
- pump-motor, solenoid-valve and pinch-valve sampling outputs (Appendix A.2.8)

A.2.1: Run-Status Output

The controller energizes the power board's run-status relay (thus connecting pins 3 and 4 of the optional field I/O connector) as each sampling cycle is initiated, and de-energizes it as that cycle discharges the sample it collected.

A.2.2: Alarm Output

If the power board's alarm relay is enabled (Chapter 4.6.3), the controller energizes it (thus connecting pins 5 and 6 of the optional field I/O connector) when:

- the sampling program is waiting to be reset after completing normally, being manually stopped, or failing to determine the position of the sequential-sampling turntable;
- sampling has been suspended because the float input circuit is open, as discussed below (this will also be indicated by displaying a fault icon along the right edge of the screen);
- the most recent sample cycle failed to reach the liquid-sensor electrodes, failed sample (recycle).
- the storage compartment has been above its intended temperature for at least 30 minutes (this will also be indicated by displaying a °C icon along the right edge of the screen).
- Indexing Error the sequential table is not turning or it cannot find the proper bottle location.

A.2.3: Turntable I/O

The controller uses one discrete output and two discrete inputs to operate the optional sequential-sampling turntable.

- That output starts and stops the turntable's motor by energizing and de-energizing the power board's table control relay.
- Those inputs are wired to sensors that detect the passage of magnets (usually 24) that are radially embedded in the turntable's upper plate. The H sensor is positioned to detect the turntable's single home-position magnet, while the S sensor detects the others.

All three circuits are wired to a seven-pin CPC mounted in the roof of the sample compartment.

A.2.4: Temperature Input

All-Season Samplers are equipped with resistive temperature devices (RTDs) that their controllers use to measure their sample compartment temperatures. Each RTD is mounted inside the refrigerated cabinet on the side wall and connected directly to the logic board's temperature input port. The cabinet temperature is logged with each sample in the Data Archive log files.

A.2.5: Flow Input

The controller provides one analog and one discrete input that are meant for connecting flow meter signals. All refrigerated samplers are equipped with four-pin circular plastic connectors (CPC) that provide terminals for both of those inputs.

Connecting either type of signal allows you to configure flow interval counters (Appendix A.3.2) that will initiate samples as the total flow in the sampled stream passes specified volumes. Or, the pulse input can be used to remotely trigger the collection of individual samples (see below):

To do that, you must set parameter(s) that specify the connected signal type (4-20 mA, 0-5 VDC, 0-10 VDC, or discrete pulse):

- If an analog flow-rate signal is connected, you must also specify the flow rate (in gallons) corresponding to its maximum value (20 mA, 5 VDC or 10 VDC) and the desired flow intervals in gallons. The controller then integrates that signal to determine the accumulated flow, and draws samples at the specified intervals.

⚠ *Multiple devices can be connected in series to a 4-to-20 mA transmitter, provided they do not share a common ground and their summed resistances don't exceed the transmitter's capacity. **The internal resistance of our sampler's current-loop input is 250 ohms.***

- The discrete signal type is intended to be used with a flow meter that integrates its own flow rate measurement and pulses an output relay on and off at specific accumulated flow intervals. If you connect such an input signal, you need only specify the number of pulses corresponding to the flow intervals at which samples are to be drawn.

Assuming you really want your samples to be drawn at flow volume intervals, you can calculate those counts by dividing the desired flow intervals (in volumetric units) by the incremental flow (in the same units) that triggers each meter relay pulse.

For example, assume the meter pulses its output relay once for every 1000 gallons of stream flow, and you want to sample that stream at 25,000 gallon intervals. You should then set the interval duration to 25 pulses per sample (25000 gallons per sample divided by 1000 gallons per pulse).

A.2.5.1: Remote Sample Initiation

Alternately, you can repurpose the pulse input to initiate a sample each time its circuit is closed by a connected PLC or other external device, effectively allowing such a device to remotely trigger the collection of individual samples:

1. Select either the Flow or Time+Flow sampling interval option.
2. Set the Flow Type parameter to Pulses.
3. Set the Flow Option parameter to Pulses Fixed.
4. Set the Sample Pulses parameter to 1.

A.2.6: Float Input

The controller provides one internally-powered discrete input that can be connected to an external stream-level float switch. The controller can then be configured (see below) to draw samples only while or after that input circuit has closed. Thus:

- If a stream-level float switch is connected, it should close as the stream level rises above an appropriate minimum level. The sampler could then be configured to draw samples only when the stream depth was sufficient to cover the intake strainer (or above some other appropriate threshold).
- More generally, this is essentially a remote run-permissive input that could connect to any appropriate field device or PLC relay output.

A.2.6.1 : Factory Menu Float Setting

If the Float Option (Chapter 4.6.4) is Enabled and its input circuit is open when the control program is started, the unit will not start drawing samples until the float switch circuit is closed. If that circuit opens after sampling has begun, the program's response will depend on its Factory Menu FLT setting (which is set to your specifications before the unit is shipped):

- If the FLT START/STOP setting is selected, the program will reset its sampling interval counters and not restart them until the float circuit closes again (i.e., those counters will restart from zero when the water level rises high enough to reclose the float switch). This setting is used for the full bottle switch.
- If the FLT START setting is selected, the program will continue sampling without interruption even if that circuit reopens. This setting works like a one shot delay.

If the FLT OFF setting is selected, the float input is disabled and the Program Menu's FLOAT INPUT parameter is hidden.

A.2.7: Liquid Sensor Controller

Each sample cycle vacuums wastewater into the sample chamber until the liquid-sensor electrodes signal the sample chamber is full and switch to post purge. That liquid sensor device has its own control box which attaches to the controller's SDI-12 communication port.

A.2.8: Sampling Outputs

Three electrically-actuated devices control the flow of air and wastewater into and out of the sample chamber (as illustrated above). As shown on the appended Electrical Diagram, each of those devices is controlled by a relay on the controller's power board:

- The Pump relay turns the compressor/vacuum pump motor on at the beginning of each sampling cycle, and off after the collected sample has been discharged.
- The Solenoid relay energizes and de-energizes the four-way solenoid valve that alternately connects the sample chamber to that pump's the vacuum or pressure port.
- The Pinch relay energizes the pinch valve solenoid to seal off the chamber's discharge tube during all but the final (discharge) phase of the sampling cycle. That valve connects to it via a 2-pin CPC in the roof of the sample compartment.

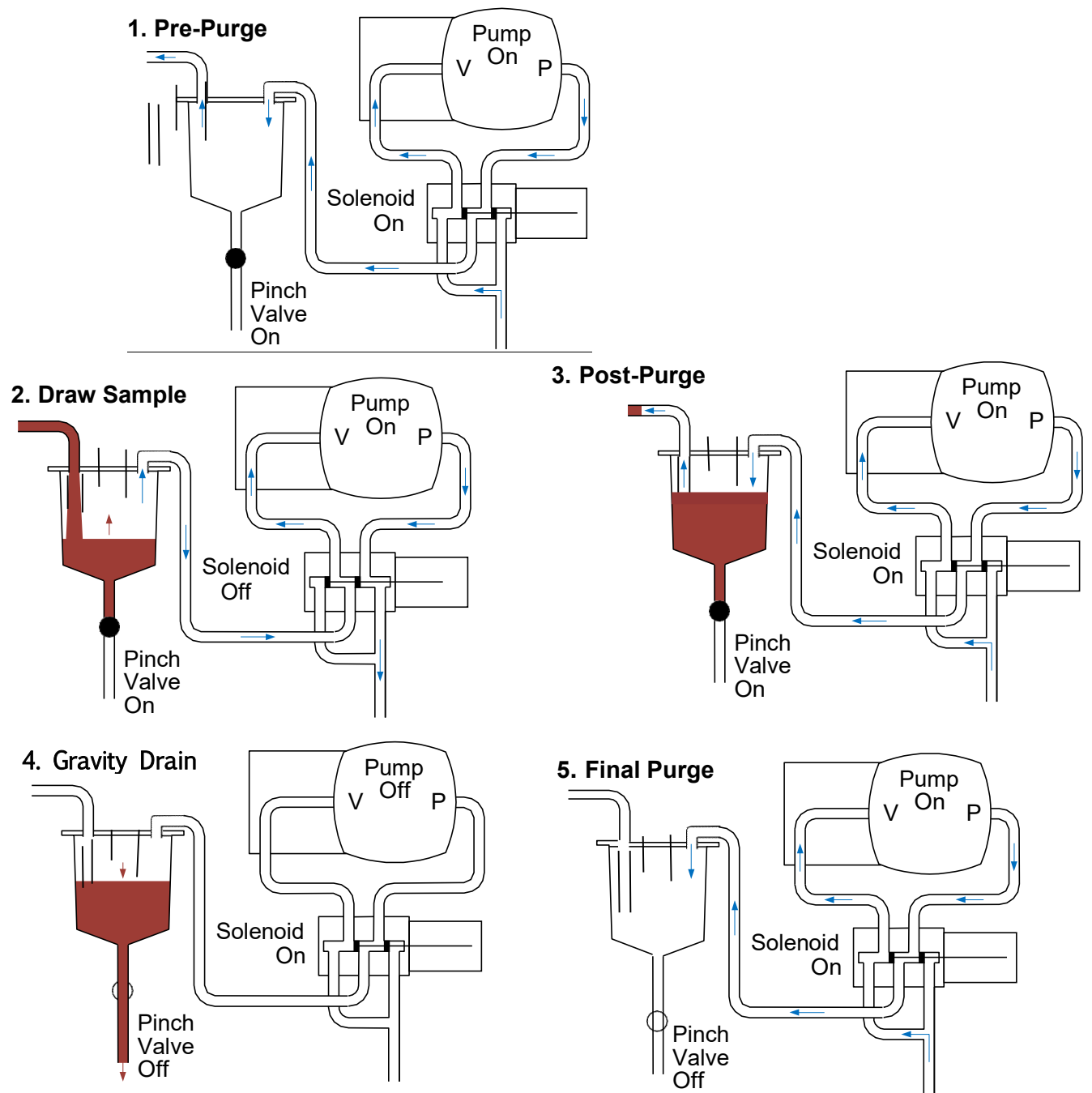


Figure A-1: CVE Flow Sequence

A.3: Sampling Program

The sampling programs all use the same underlying instructions, but can be configured (via the Program Menu) to provide very different features sets. Each can be set up to:

- draw configurable, fixed-size (20 to 400 milliliter/gram) samples, or sets of consecutive samples, at specified time or flow intervals;
- rinse the sampling line up to four times prior to drawing each sample;
- repeat any sampling cycle up to four times (five total) if needed to collect the specified volume of wastewater;
- discharge each sample into a specified bottle (sequential samplers only)
- delay its execution a specified number of minutes after it is started, or until the optional float input is asserted (or pause and resume repeatedly as that input is set and cleared);
- automatically stop after a configurable amount of time or number of samples; and
- start sampling, pause or halt and later resume, take manual samples and finally stop at scheduled times on specified days of the week, then automatically restart itself if desired.

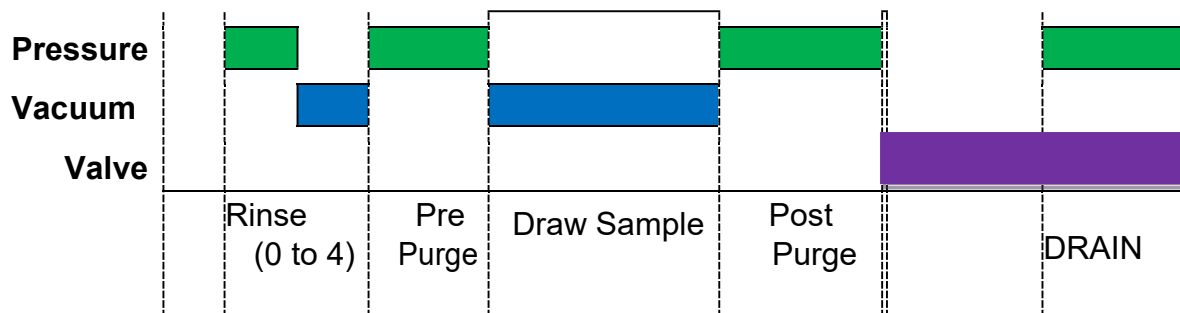


Figure A-2: CVE Sampling Cycle

A.3.1: CVE Sampling Cycle

The figures above and on the preceding page illustrate the full CVE sampling cycle, which can be configured to include up to four optional **rinse** cycles (one is shown) and an optional **prepurge** step.

1. The sampling tube and strainer are optionally rinsed up to four times and then “pre-purged” to clear out accumulated water and debris:
 - The prepurge pressurizes the sample chamber for a specified number of seconds, which will presumably clear the intake line. It is rarely disabled.
 - It can be preceded by up to four rinses, each of which first pressurizes the chamber to blow out the line and then sucks a limited amount of water into the sample line. The pre-purge phase would then blow out the water drawn in by the last rinse.

* If you enable one or more rinse phases, use the manual sampling feature to make sure your settings do not draw water into the sampling chamber.

2. The chamber is depressurized for up to 200 seconds to draw the sample into the chamber until it is high enough to conduct an electric current between the liquid sensor electrodes, which project down from the chamber top. The Sample Seconds must be long enough to raise the water to contact both liquid-sensor electrodes.

- If the liquid sensor is not tripped within the configured time (Sample Seconds)
- If the Sample Recycling feature is enabled, the rinse, purge, and vacuum steps will be repeated.
 - If Recycle is disabled then Sample Failed is displayed and the program will go to discharge and then final purge. If the fault option is enabled, the alarm output will be activated.
3. The chamber is “post purged” for a specified number of seconds to expel the excess water and clear the sample intake line.
 4. The sample is drained by opening the discharge valve for 5 seconds.
 5. The sample chamber has a finale purge to clean out any sample with pressure.
 6. If the unit is equipped with a sequential table, the bottles are rotated into position the intended bottle beneath the discharge tube.
 7. The pinch valve is opened and the sample is gravity discharged into the sample bottle. Then a final purge of the sample chamber.
 8. If duplicate sampling has been set up (Appendix A.3.3.4), this procedure immediately repeats the specified number of times, discharging each consecutive sample into the next available sequential-sampling bottle.

A.3.1.1: Calibrate menu

The sampler can deliver sample volumes repeatable to ± 5 ml or $\pm 5\%$ of the average volume in a set. For accurate sample volumes the sampler utilizes a volumetric measuring system with a liquid-sensor.

1) To properly calibrate the volume prior to running a program, you must go to **MAIN MENU** and scroll to find the **CALIBRATE** menu item. Press F3 SEL to select the menu item.

2) Calibrate #1 is displayed. Adjust the intake tube to set the sample size. Loosen the compression nut slide the tube down for less sample and up for more. Tighten the compression nut and push START (F3) to take the calibrate #1 sample. Discard the sample or proceed to calibrate #2 if the sample size is not correct.

3) Discard the calibration samples and press HOME (F1) to go to Program Ready Screen.

<input checked="" type="checkbox"/> Note

If Sample Fails, the velocity control valve may need to be adjusted and/or the sample time may need increased. Also check the intake line for blockage.

A.3.1.2: Recycle

Enabling Recycle configures each sampling cycle to repeat its rinse, prepurge, sampling, postpurge up to 4 times before discharging the accumulated sample if the collected sample does not reach liquid-sensor electrodes in the allotted time as specified in the program.

In any event, if the sample does not reach the liquid-sensor electrodes and there is sample in the chamber the control will show failed sample because the sample did not reach the electrodes. If this happens increase the sample time in the Cycle menu. The recycle fault is cleared the next time a full sample is collected.

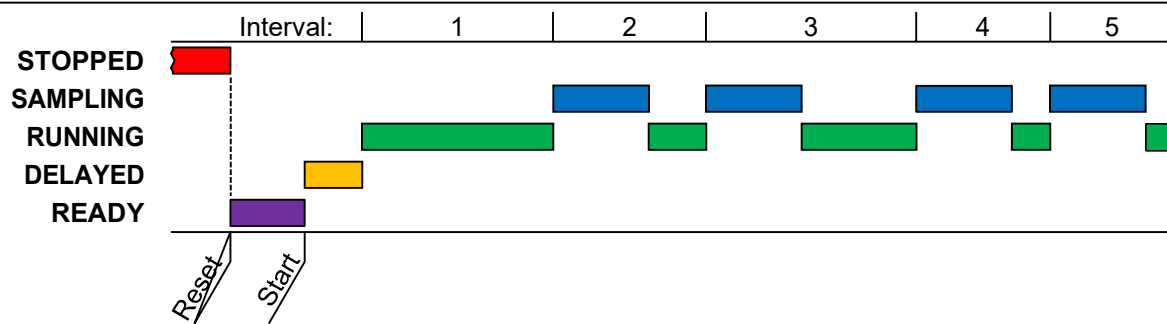


Figure A-3: Basic Sample Timing Diagram

A.3.2 : Sampling Intervals

Each program is configured to draw samples in an optionally repeating sequence of up to 24 fixed or variable, time and/or flow-based Sampling Intervals. As shown above, the first interval starts after any configured delay (Appendix A.3.4). At the end of that interval, the program simultaneously triggers its first automatic sample and restarts its interval counter(s). And so on.

The durations of time-sampling intervals are specified in minutes. If any flow-sampling options are selected, a suitable flowmeter must be connected (Appendix A.2.5) and the interval durations are specified in gallons or flow input pulses (each corresponding to a fixed increment in the total flow measured by the meter):

- When **Time** sampling is chosen, the interval lengths (in minutes) can be fixed or vary in a specified sequence.
- When **Flow** sampling is chosen the interval lengths (in gallons or pulses) can be fixed or vary in a specified sequence.
- When **Time+Flow** intervals are chosen, both a maximum time and a maximum accumulated flow interval are specified for each sample. Fixed or variable lengths can be independently set for each. For example, you could specify a sequence of variable flow intervals with a fixed maximum time between samples. When the first of each sample's intervals elapses, its sampling cycle is initiated and both interval counters are restarted.
- When **Time/Bottle** (or **Flow/Bottle**) sampling is chosen, the sampling interval durations can be independently specified for each sequential-sampling bottle (Appendix A.3.3.3).

A.3.2.1 : Variable Intervals

Selecting Time Variable (or Flow Variable) interval timing allows you to specify a sequence of up to 24 interval durations.

- Each sample is drawn when the corresponding interval elapses, until the program's stopping criterion is met (Appendix A.3.5).
- If the specified number of intervals is fewer than the number of samples the program is configured to draw, the last of those intervals will be used for all subsequent samples.

For example, if the program is configured to stop after 750 minutes (12.5 hours), and you configure six alternating 2 and 1-hour intervals (i.e., 2, 1, 2, 1, 2 and 1), the sixth interval would be used for the sixth and all subsequent samples. Thus, samples would be drawn after 2, 3, 5, 6, 8, 9, 10, 11 and 12 hours.

A.3.3: Bottle Options

Each program must be “told” how many sample containers it is to use, how big they are, and how many samples it is to put into each container. This is done by configuring the installed **Sampling Type** and then setting the associated **Bottle Options** parameters:

- If a single-container, composite-sampling system is installed, the Composite sampling type must be selected—if you are even given a choice.
- If a multiple-bottle, sequential-sampling system is installed, the Discrete sampling type must be selected.

✎ *Each sampler is usually sold with only a Composite or Sequential sample storage system (Chapter 1.2.3). If so, each program is factory configured to use that Sample Type and the Program Menu allows you from changing it. That menu lets you change the container sizes or bottle carousels in the future if your requirements change.*

✎ *The maximum number of samples you can specify for each bottle is determined by the sample size and the bottle size. Make sure when configuring the max number of samples the bottles do not overflow.*

✎ *At least one extra container or carousel and set of bottles is usually kept on hand to allow sampling to continue while the filled bottles are readied for re use.*

A3.3.1: Composite Sampling

If a single-container, composite-sampling system is installed, the Composite sampling type must be selected. You then specify the size of that bottle and the Number of Samples to be automatically collected and discharged to it:

- The Composite Size setting specifies the size of the sample container.
- The Samples per Bottle setting shows many samples will be discharged to that container before the program automatically stops.

A3.3.2: Sequential Sampling

If your sampler is equipped for sequential sampling, you must select the Discrete sampling type, specify which bottle carousel is installed, and define the criteria for indexing (i.e. distributing) samples among that carousel’s bottles:

- The Bottle Configuration setting specifies the number and size of the bottles in the carousel (for example, 24 1000 specifies a carousel housing 24 1000 milliliter bottles).
- The Number of Bottles setting specifies how many of the available bottles will be used.
- The Samples per Bottle setting specifies how many samples will be discharged to each bottle before the program automatically stops.
- The Index Type setting specifies when the next bottle will rotate into position.

Each program will always discharge its first sample into the bottle in the first carousel position. If Number of Bottles is less than the number actually in the carousel, the difference dictates how many will not receive any samples.

A.3.3.2.1: After-Bottle Indexing

After-Bottle indexing rotates the carousel after each bottle has received the specified number of Samples per Bottle. Thus, the carousel will rotate at most one full turn.

For example, assume a 24-bottle carousel is set for After Bottle indexing, Number of Bottles is set to 20, and Samples per Bottle is set to 5. The program would then collect a total of 100 samples, discharging the first 5 to the bottle 1, the next five to the bottle 2, and so on until samples 96 through 100 were discharged to the position 20 bottle, after which the program would stop. Four bottles would remain empty.

A.3.3.2.2: After-Sample Indexing

After-Sample indexing rotates the carousel each time a sample is discharged, until each of the specified Number of Bottles has received the specified Samples per Bottle. The carousel will thus rotate Samples per Bottle full revolutions. Any manually-drawn samples would count toward the Samples per Bottle limits of the bottles they were discharged to.

For example, assume a 24-bottle carousel is set for After Sample indexing, Number of Bottles is set to 20, and Samples per Bottle is set to 5. The program would then collect a total of 100 samples, rotating the carousel 5 full turns. The first sample would be discharged to the bottle in position 1, the second to the bottle in position 2, and so on until sample 20 was discharged to the bottle in position 20. Bottle 1 would then be rotated into position to receive sample 21, skipping the last four bottles. Sample 22 would be discharged to bottle 2, and so on until the 40th sample was discharged to bottle 20. This would repeat until sample 100 was discharged to bottle 20, after which the program would stop.

A.3.3.2.3: After-Time Indexing

After-Time indexing type rotates the carousel in regular, timed steps whose duration is specified by the Index Minutes parameter. The first indexing interval begins when the sampling interval counters are initiated.

At the end of the first indexing interval, the second bottle is rotated into position and the sampling interval counters are reset. The second bottle is then serviced for Index Minutes, after which the third is rotated into position and the sampling intervals are again restarted. This continues until the specified Number of Bottles have been serviced.

An additional run-time screen is provided which displays the duration of the indexing interval and counts up to the next turntable rotation.

If any bottle receives the specified maximum Samples per Bottle before its indexing interval elapses, no additional samples are taken until the next bottle is rotated into position.

A.3.3.2.4: Real-Time Indexing

Real-Time indexing is the same as After-Time indexing, except that it rotates the second bottle into position at a specified Index Time (of day).

Ideally, the program would be started (or set to automatically start) Index Minutes prior to the specified Index Time, so the first and each subsequent bottle would be used for Index Minutes. For example, if Index Minutes is set to 1440 (24 hours) and Index Time is set to midnight on January 2, sampling would ideally be started at midnight on January 1. The indexing counter would then immediately start at 0 and count up to Index Minutes:

- If the program is started more than Index Minutes before the specified Index Time, the displayed indexing counter will not start until the time remaining until Index Time is equal to Index Minutes.
- If the program is started less than Index Minutes before Index Time, that counter starts with an initial value greater than zero (essentially Index Time minus Index Minutes).

Real-Time indexing is the same as After-Time indexing, except that it rotates the second bottle into position at a specified Index Time (of day). The displayed indexing interval counter does not start until Index Minutes prior to the specified Index Time.

A.3.3.3: Per Bottle Sampling

If your sampler is equipped for sequential sampling, its programs can progress through a sequence of sampling intervals as each bottle is rotated into position:

- To set a different time sampling interval for each bottle, set the Sample Interval parameter to Time/Bottle. Then define the interval for each bottle by setting the corresponding element in the Bottle Minutes list.
- To set a different flow sampling interval for each bottle, set the Sample Interval parameter to Flow/Bottle. Then define the interval for each bottle by setting the corresponding element in the Bottle Gallons or Bottle Pulses list.
- The Number of Bottles value you entered (Appendix A3.3) is the maximum number of intervals you might need to set.
- If you define a lesser number of intervals, the last one you do set will be used for all subsequent bottles.

For example, if the program is configured to use six bottles, and you set a total of four alternating 2 and 1-hour intervals (i.e., 2, 1, 2, 1), that fourth interval would be used for the last three bottles:

- Samples discharged to the first bottle would be drawn at 2-hour intervals.
- Samples discharged to the second bottle would be drawn at 1-hour intervals.
- Those discharged to the third bottle would again be drawn at 2-hour intervals.
- All remaining samples would be drawn at 1-hour intervals (bottles 4, 5 and 6).

A.3.3.4: Duplicate Sampling

If your sampler is equipped for sequential sampling, its programs can be configured to save samples to multiple bottles at essentially the same time by:

- assigning the Cycle group's Consecutive Samples parameter a value greater than one, and
- setting the Bottle Options group's Index Type parameter to After Sample.

For example, assume a 24-bottle carousel is set for After Sample indexing, Number of Bottles set to 24, Samples per Bottle set to 1 and Consecutive Samples is set to 3. Each time the interval counter elapsed, three samples would be drawn as quickly as possible and discharged to the next three empty bottles.

Assuming no manual samples were drawn, the first three samples would be drawn in quick succession and discharged to bottles 1, 2 and 3. The second three would be discharged to bottles 4, 5 and 6, and so on until the sixth set of three samples were drawn and discharged to bottles 22, 23 and 24. The program would then stop.

If a manual sample was drawn after the second set of three automatic samples, it would be discharged to bottle 7 and the third set of samples would be discharged to bottles 8, 9 and 10. Assuming no more manual samples, the fifth set of automatic samples would go into bottles 20, 21 and 22. The sixth set could only discharge 2 samples—to bottles 23 and 24. The program would then stop.

A3.4: Delayed Starting

The selected sampling program can be started by pressing either the START [F1] or TIMED [F2] key while the controller is in its Ready state (i.e., when the supervisory routine is running):

- Pressing START[F1] starts the program immediately.
- Pressing TIMED [F2] prompts you to specify the date and time at which the program will appear to start. Until then, it will operate in a Timed state in which the sampling interval counters do not run but you can initiate manual samples. An additional run-time screen will display the date and time at which the program will “start”, along with the current time and date. When that time comes, the program will proceed as if you had just pressed the RUN [F1] key.

If one or more Program Start events (Appendix A.3.6) have been configured, the program will also enter its Timed state when the START [F1] key is pressed. It would then proceed as if you had just pressed the RUN [F1] key when the first scheduled start time arrived.

In either case, the sampling interval counters might be further delayed:

- If the program has been set to wait for a Float input (Appendix A.2.6), it will not start its interval counter(s) until that input is asserted. Until then, the program will display its operating state as FLT START.
- If a non-zero value (up to 9999 minutes) has been assigned to the Delay Start run Option (Chapter 4.6.2) the first sampling interval will be further delayed by that many minutes (see Figure A-3 Appendix A.3.2). Until then, the program will display its operating state as DELAYED.

A.3.5: Timed Stopping

Once a sampling program has started, it will continue running until it has drawn the number of samples specified by its Bottle Options unless:

- it is stopped by pressing the STOP [F3]key,
- its Timed Stop Run Option (Chapter 4.6.5) has been set to stop it a specified number of hours or minutes after the program was started, or
- Stop Program events have been configured it to stop at configured times on specified days of the week (see next section).



If either a Timed Stop or a Stop Program event has been configured, an additional run-time screen will show the scheduled stop time and all such screens will display a timer icon.

A3.6: Scheduled Events

Each program can be set to automatically start its interval counters, pause or halt and then resume, initiate manual samples, or stop itself at scheduled times on specified days of the week. As discussed in Chapter 4.7 those **Program Events** are defined by a variable-length list of parameters, each of which has three associated values:

- the type of event (see table on next page),
- the days of the week on which the event will be executed, and
- the time of day on those days at which the event will be initiated.

Events do not have to be defined in the order they will execute and can only be added or deleted from the end of the list.

Table A-1: Available Program Event Types

Start Program	The parent program will start automatically if it is ready when the scheduled time is reached on the next scheduled day.
Stop Program	The parent program will stop automatically if it is running when the scheduled time is reached on the next scheduled day. Unless the Auto Rerun option is enabled (Chapter 4.6.1), the program will have to be manually reset before it can be restarted.
Manual Sample	A manual sample will be drawn if the program is running when the scheduled time is reached on the next scheduled day. If a time or flow interval elapses while the manual sample is being drawn, an automatic sample will be drawn as soon as the manual sample cycle has been completed.
Pause Program	Sampling will be suspended if the program is running when the scheduled time is reached on the next scheduled day, but the time and flow interval counters will continue to run. Sampling can be resumed by a Resume Program event, or from the user interface panel. If one or more intervals elapse while the program is paused, only the first such sample will be drawn when the program is resumed.

Halt Program	The interval time and flow counters will be paused if the program is running when the scheduled time is reached on the next scheduled day. Those counters can be resumed (with the accumulated values they had at the time they were halted) by a Resume Program event, or from the user interface panel.
Resume Program	Interval sampling will resume if the program is paused or halted when the scheduled time is reached on the next scheduled day.
End List	Previous event is the last one on the list. Changing an event's type to End List deletes it and all high-numbered events.

A3.7: Data Archiving

The log file contains the following info:

- Each time one of its six sampling programs was started and stopped.
- Each sample it has collected which bottle it was deposited into, and whether or not recycle was activated. The time and date of each sample collected and with the cabinet temperature.
- all operational exceptions, including:
 - power loss and restoration,
 - bottle-full sampling suspensions,
 - sequential turntable indexing errors, and
 - sample compartment temperature and deviations

These sample and exception records are separated into multiple log files. Each time a sampling program completed or stopped. The log file is closed and a new one is opened. Exceptions that occur between sampling runs are logged into the following run's file. The controller will keep up to 50 such files, after which the oldest file will be deleted each time a new one is created. The newest file is accessed as log 1; the one recorded prior to log 1 is accessed as log 2, and so on.

Currently, those log files can only be:

- Reviewed on screen when the menu system is not in use (Chapter 5.7)
- Deleted using the Administration Menu's Clear Archive option (Chapter 3.2.4).

Appendix B: Replacement Parts

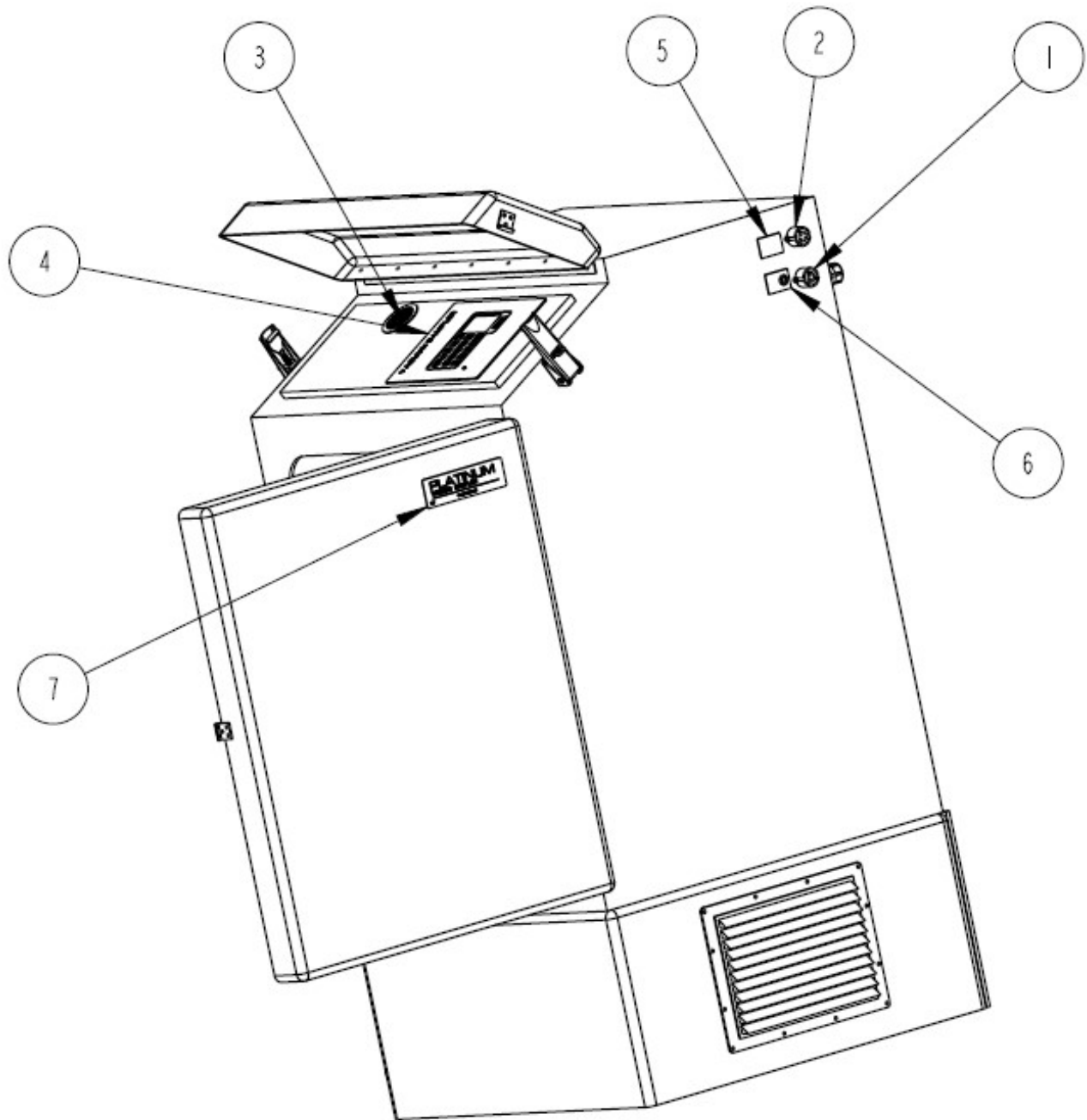


Figure B-1: Labels and Controller

Table B-1 Labels and Controller

	Part	Number	Additional Information
1	Field I/O Connector	WW002	7-pin CPC Panel Connector
	Protective Cover	WW005	
	Mating Cable Connector	WW001	Screw Terminations
2	Flow Inputs Connector	WW024	4-pin CPC Panel Connector
	Protective Cover	WW005	
	Mating Cable Connector	WW025	Screw Terminations
3	2" diameter Plastic Vent	WW396	
4	Controller, Complete	WW322	Specify Sampler Model Number
	Backup Battery	340503001	
	Face Plate	WW354	
	Face Plate Gasket	WW355	
	Logic Board	WW401	
	Power Board	WW320	
5	Label, 4-20Ma/Pulse Pinout	WW607	
6	Label, FLOAT/ALARM/RUN	WW608	
7	Label, Platinum Vacuum Sampler	WW653	
	Label, Optima Vacuum Sampler	WW605	
NOTE: 1. For current prices and quotations on parts, contact Teledyne Isco Service Department. 2. This list is subject to change without notice			

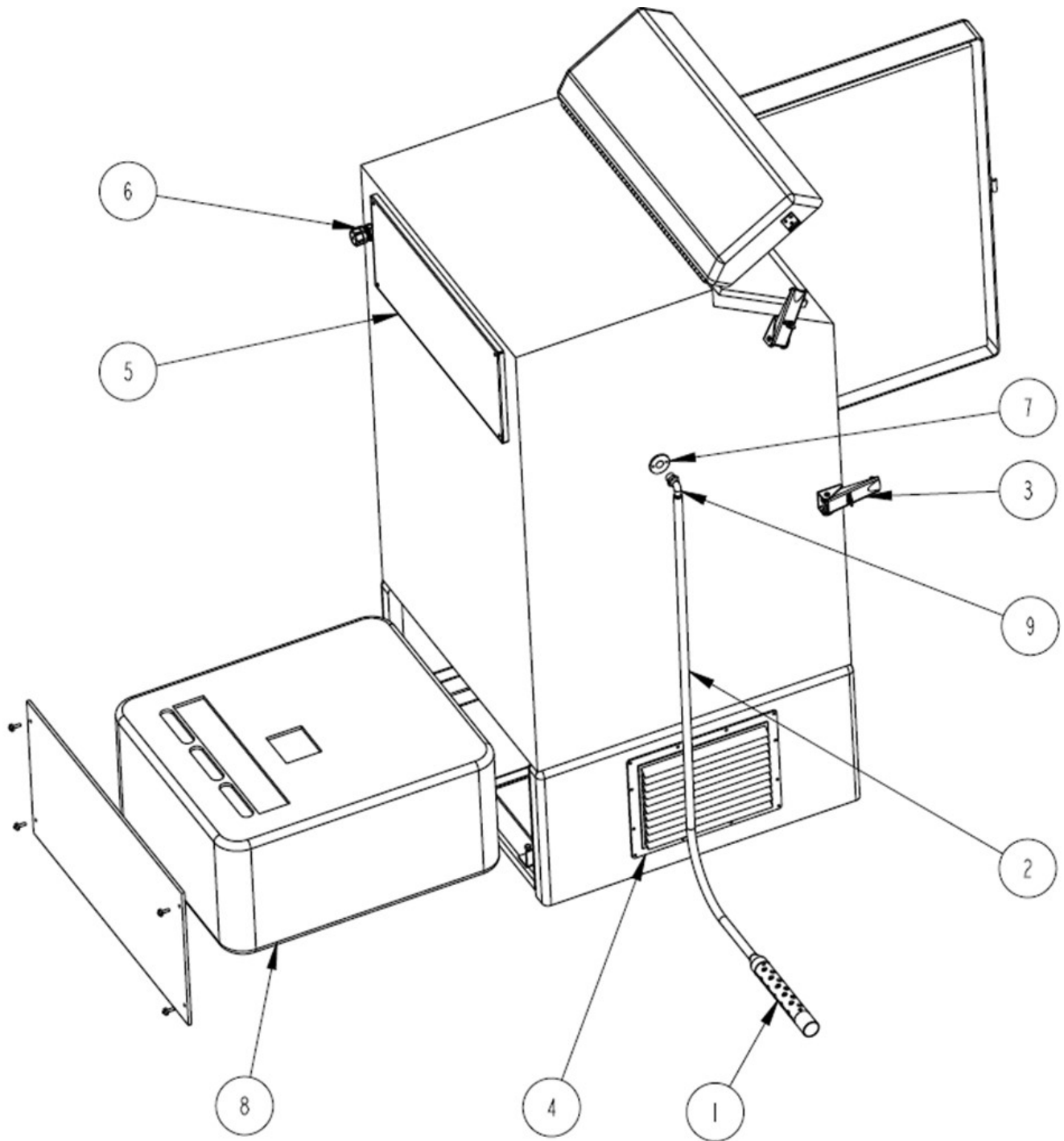


Figure B-2: Exterior Parts and Cooling Module

Table B-2: Exterior Parts and Cooling Module

	Part	Number	Additional Information
1	Strainer, Low Flow	692903138	For 3/8-inch line
	Strainer, Weighted	609004367	For 3/8-inch line
	Strainer, Weighted	609004366	For 1/2-inch line
	Strainer, CPVC	603704066	For 3/8-inch line
2	Intake Tubing, 3/8-inch I.D.	029091603	sold by the foot—specify length
	Intake Tubing, 1/2-inch I.D.	029071406	sold by the foot—specify length
	Intake Kit, 3/8" (9mm)	602320008	includes 602703113 & 609004367
	Intake Kit, 1/2" (12mm)	602320004	includes 602320009 & 609004366
3	Door Latch	WW098	3 per system
4	Louver Vent	WW141	2 per system
5	Back Cover for Pump Area	WW146	
6	1/2" Cord Connection	WW317	Strain Relief
	Power Cord, Standard, 9-foot	WW129	North American 120 VAC Plug
	Power Cord, EEC, 9-foot	WW742	European 220 VAC Plug
7	PVC Bulkhead	WW426	
8	Refrigeration Module, 120VAC	WW670	Without Heater
	Refrigeration Module, 120VAC	WW671	Heater
	Refrigeration Module, 240VAC	WW672	Without Heater
	Refrigeration Module, 240VAC	WW673	Heater
9	3/8" 90 Degree Nylon Elbow	WW127	Intake fitting (9mm)
	1/2" 90 Degree SST Elbow	WW748	Intake fitting (12mm)
NOTE: 1. For current prices and quotations on parts, contact Teledyne Isco Service Department. 2. This list is subject to change without notice			

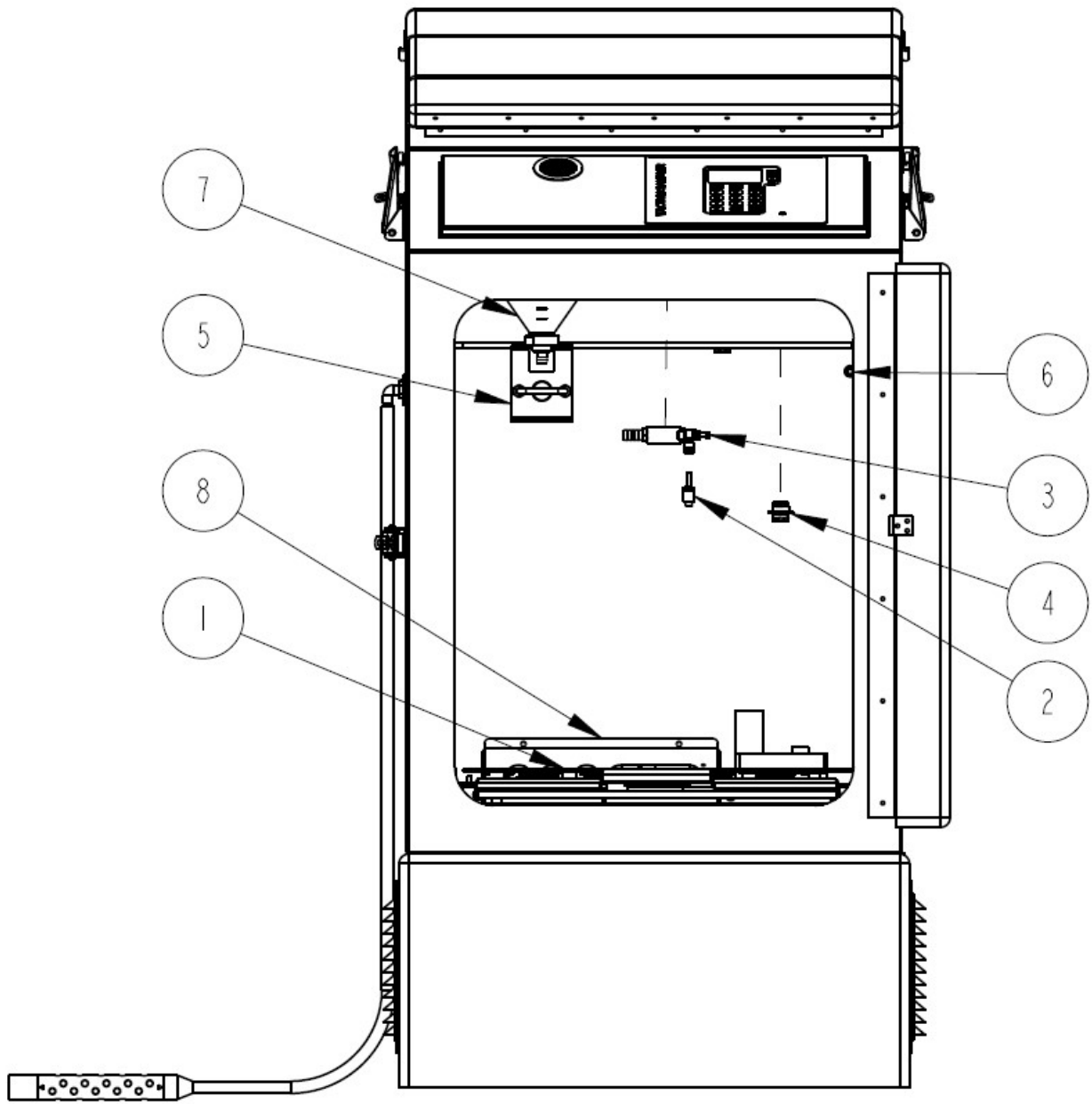


Figure B-3: Inside the Sampler

Table B-3: Inside the Sampler

	Part	Number	Additional Information
1	Turntable Assembly Sequential Table Assembly	602320000 602320005	Platinum standard (as shown) Optima standard
2	Velocity-Limiter, Check Valve	WW019	
3	Velocity-Limiter, Bleed Valve	WW033	a.k.a. Pisco Valve
4	Turntable Connector Mating Cable Connector	WW171 WW172	6-pin CPC panel connector crimp-pin termination
5	Pinch Valve Assembly	WW373	
6	Temperature Sensor	WW757	
7	Sampler Chamber Assembly	WW471	
8	Inside Air Intake	WW753	
NOTE: 1. For current prices and quotations on parts, contact Teledyne Isco Service Department. 2. This list is subject to change without notice			

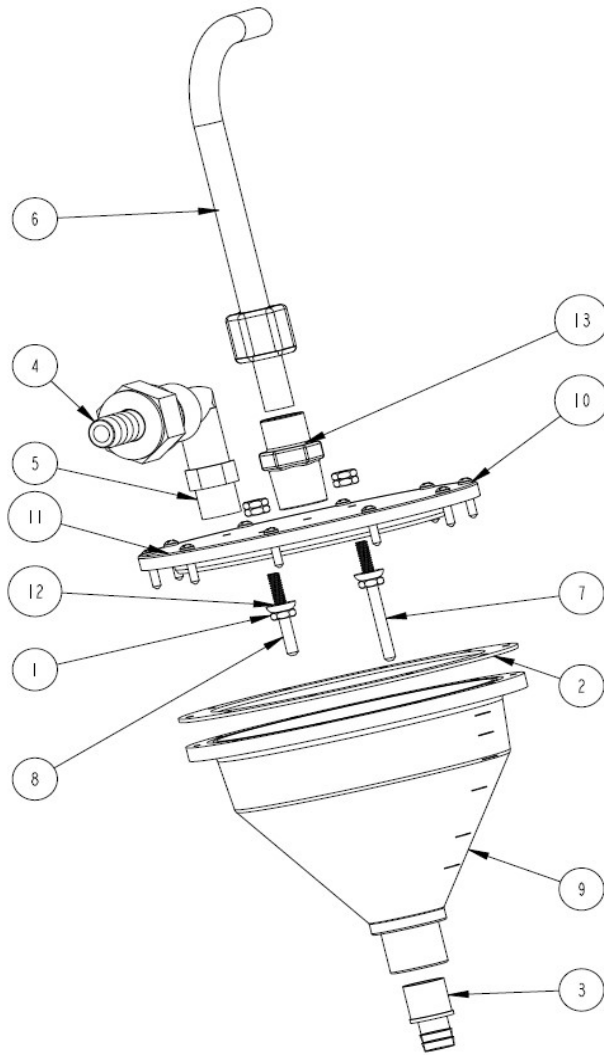


Figure B-4: Sample Chamber WW471

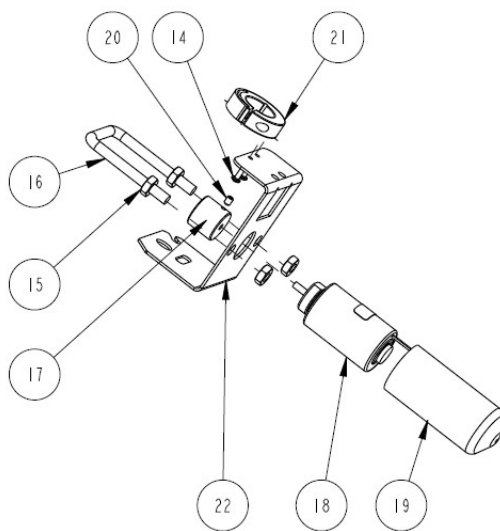
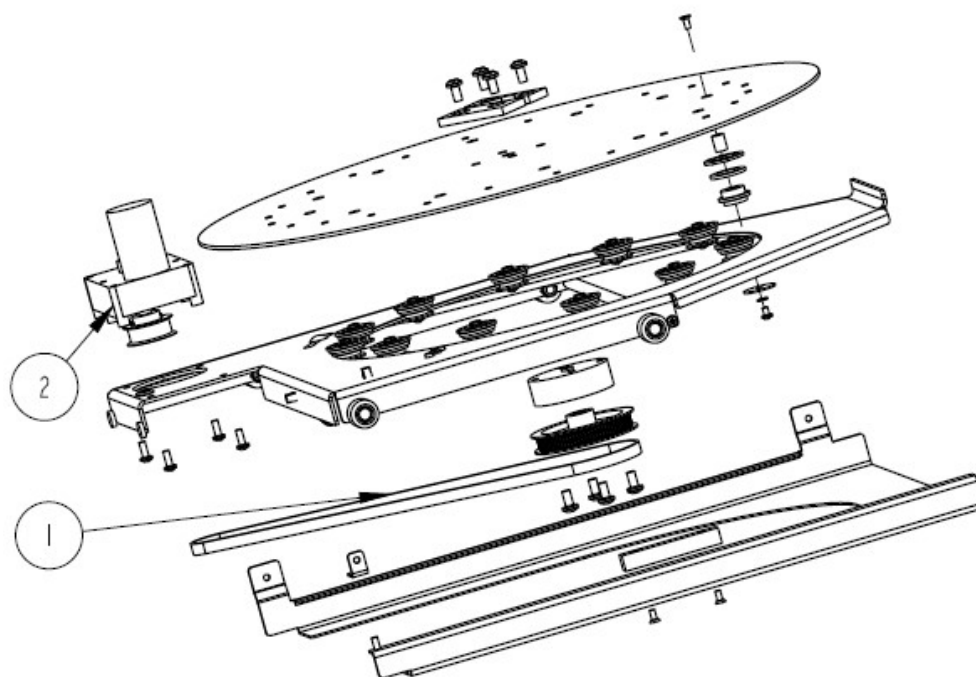


Figure B-5: Pinch Valve WW373

Table B-4: Sample Chamber WW471 and Pinch Valve WW373 Components

	Part	Number	Additional Information
1	Nut, Hex 10-24	232116000	3 per electrode
2	Gasket	WW425	
3	Chamber Base Fitting	WW429	
4	1/2 Hose X Swivel Fitting	WW434	
5	3/8 MNPT x MGHT Elbow	WW436	
6	Intake Tube	WW453	
7	CVE-16 Electrode long	WW454	
8	CVE-16 Electrode short	WW455	
9	500mL Sample Chamber Base	WW458	
10	6-32 x 5/8 Panhead Screw	WW466	
11	CVE-16 Sampler Chamber Lid	WW526	
12	Conical washer w/gasket	WW527	
13	Fitting, 1/2" OD Tube X 1/2" MNPT	WW612	
14	Screw, Panhead 6-32 x 3/8	231014406	
15	Nut, 3/8-16	232119200	
16	Square Bend U-Bolt	WW186	
17	Plunger	WW190	
18	Pinch Valve	WW193	
19	3" Vinyl Cap	WW370	
20	Set Screw, 10-24 x 1/4	WW529	
21	Set Collar	WW595	
22	Pinch Valve Bracket	WW802	
NOTE: 1. For current prices and quotations on parts, contact Teledyne Isco Service Department. 2. This list is subject to change without notice			



Figure

B-6 and Table B-5: Sequential Turntable Parts

	Part	Number	Additional Information
	TURNTABLE ASSEMBLY	602320000	
1	TIMING BELT	209018214	
2	MOTOR ASSEMBLY	WW705	
NOTE: 1. For current prices and quotations on parts, contact Teledyne Isco Service Department. 2. This list is subject to change without notice			

Table B-6: Composite Bottle Kits

	Part	Number	Additional Information
	1-bottle Configuration, Includes One 5-gallon (18.5-liter) bottle	682320025	HDPE, with lid and full bottle switch
	1-bottle Configuration, Includes One 3-gallon (11-liter) bottle	682320026	HDPE, with lid and full bottle switch
	1-bottle Configuration. Includes one 5.5-gallon (20.5-liter) bottle	299001306	HDPE, with lid
NOTE: 1. For current prices and quotations on parts, contact Teledyne Isco Service Department. 2. This list is subject to change without notice			

Figure B-7: Sequential Bottle Kits

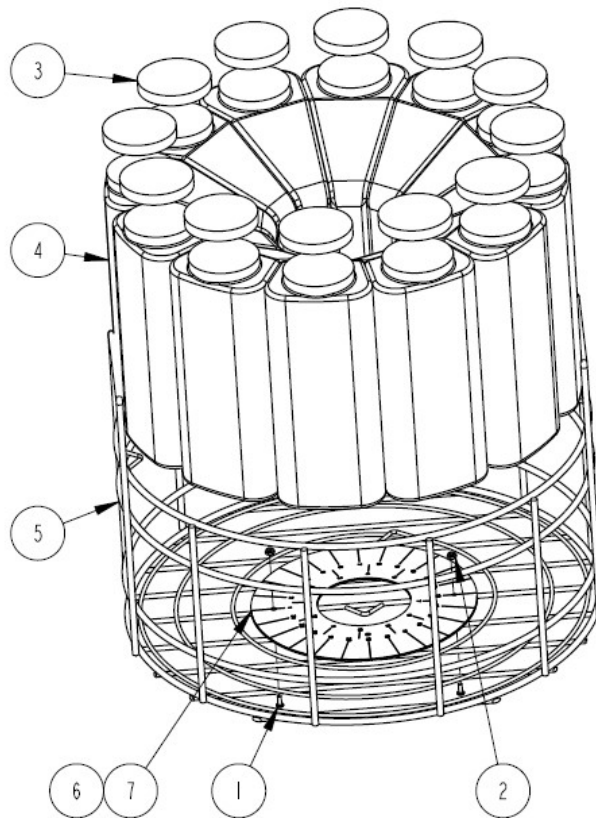
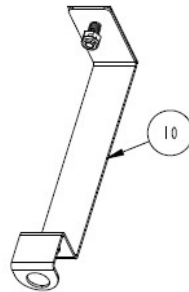
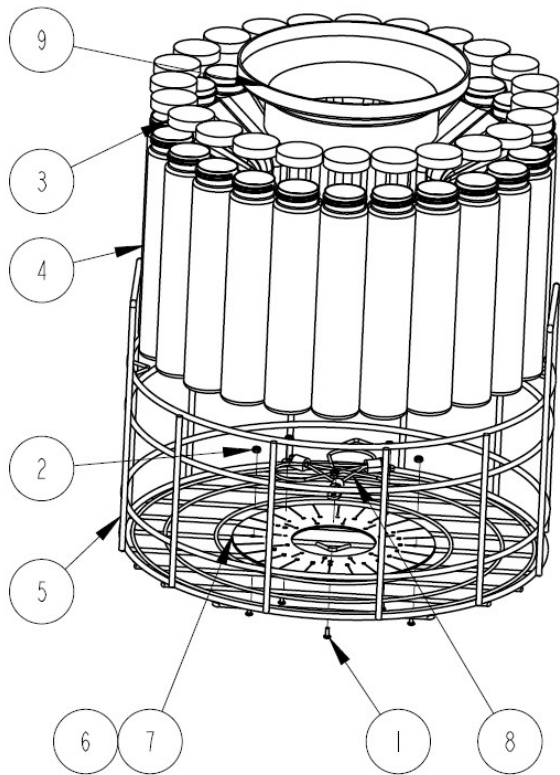


Table B-7: Sequential Bottle Kit

	Part	Number	Additional Information
	24-1 Liter Bottle Kit	602320001	
	12-2.5 Liter Bottle Kit	602320002	
	4-15 Liter Bottle Kit	602320003	Includes bottles, lids, rack
1	Screw 6-32x3/8	231014406	For 24-1L & 12-2.5L Bottle Kits
2	Locking Nut 6-32	232914000	For 24-1L & 12-2.5L Bottle Kits
3	Cap w/liner	291000070	For 2.5L Bottles
	Cap w/liner	299048407	For 1L Bottles
4	1 Liter Bottle	602103095	With lid. 24 to fill rack
	2.5 Liter Bottle	609003295	With lid. 12 to fill rack
5	Wire Rack	WW717	For 24-1L & 12-2.5L Bottle Kits
6	Bottle Location Label	WW731	For 24-1L & 12-2.5L Bottle Kits
7	Wire Rack Plate	WW733	For 24-1L & 12-2.5L Bottle Kits
8	Bottle Holding Assembly	603704167	Requires 3 for 24-1L Bottle Kit
9	Retaining Ring	609003242	For 24-1L Bottle Kit
10	Discharge Bracket Assy	602320011	For 24-1L & 12-2.5L Bottle Kits
	15 Liter Bottle	WW738	For 4-15L Liter Bottle Kit
	15 Liter Bottle Rack	WW807	For 4-15L Liter Bottle Kit
	15 Liter Bottle Cap	299001303	For 4-15L Liter Bottle Kit
NOTE: 1. For current prices and quotations on parts, contact Teledyne Isco Service Department.			
2. This list is subject to change without notice			

Figure B-8: Electrical Components

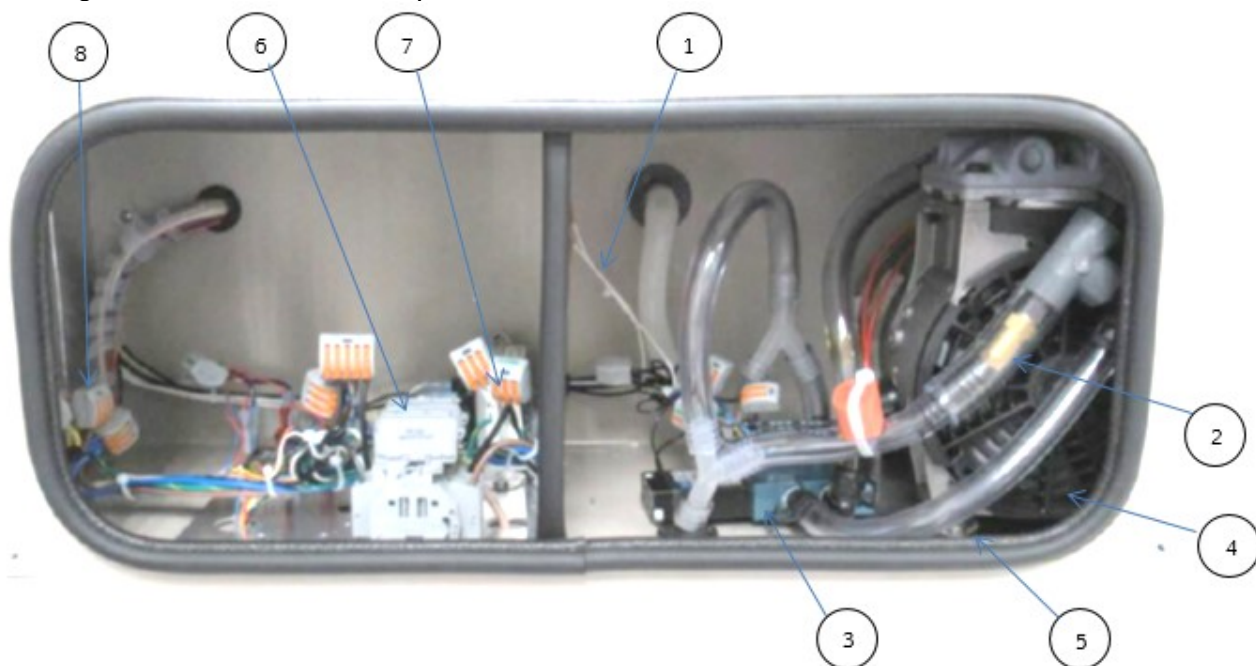


Table B-8: Electrical Components

	Part	Number	Additional Information
1	Pump Heater, 120VAC Heater Kit, 120VAC Pump Heater, 240VAC Heater Kit, 240VAC	WW422 WW754 WW438 WW795	75W/120V heater, w/thermostat 75W/240V heater, w/thermostat
2	Pressure Regulator, 20 psi	WW092	
3	Solenoid Valve, 4-Way	WW030	
4	115V Pump, Quick Lift 230V Pump, Quick Lift Vacuum Pump Service Kit	WW102 WW439 WW298	1/3 HP, 120 VAC piston pump 240 VAC piston pump Maintenance kit
5	Vacuum Pump Mounting Pads	WW131	4 required
6	3-position fuse block Fuse holder AC Fuse	WW364 WW362 WW326	10A/250V cartridge fuse
7	Transformer, Controller Power	WW300	Step-down from 120 to 240 VAC
8	3-position terminal block 5-position terminal block 2-position terminal block	WW368 WW367 WW366	
NOTE: 1. For current prices and quotations on parts, contact Teledyne Isco Service Department. 2. This list is subject to change without notice			

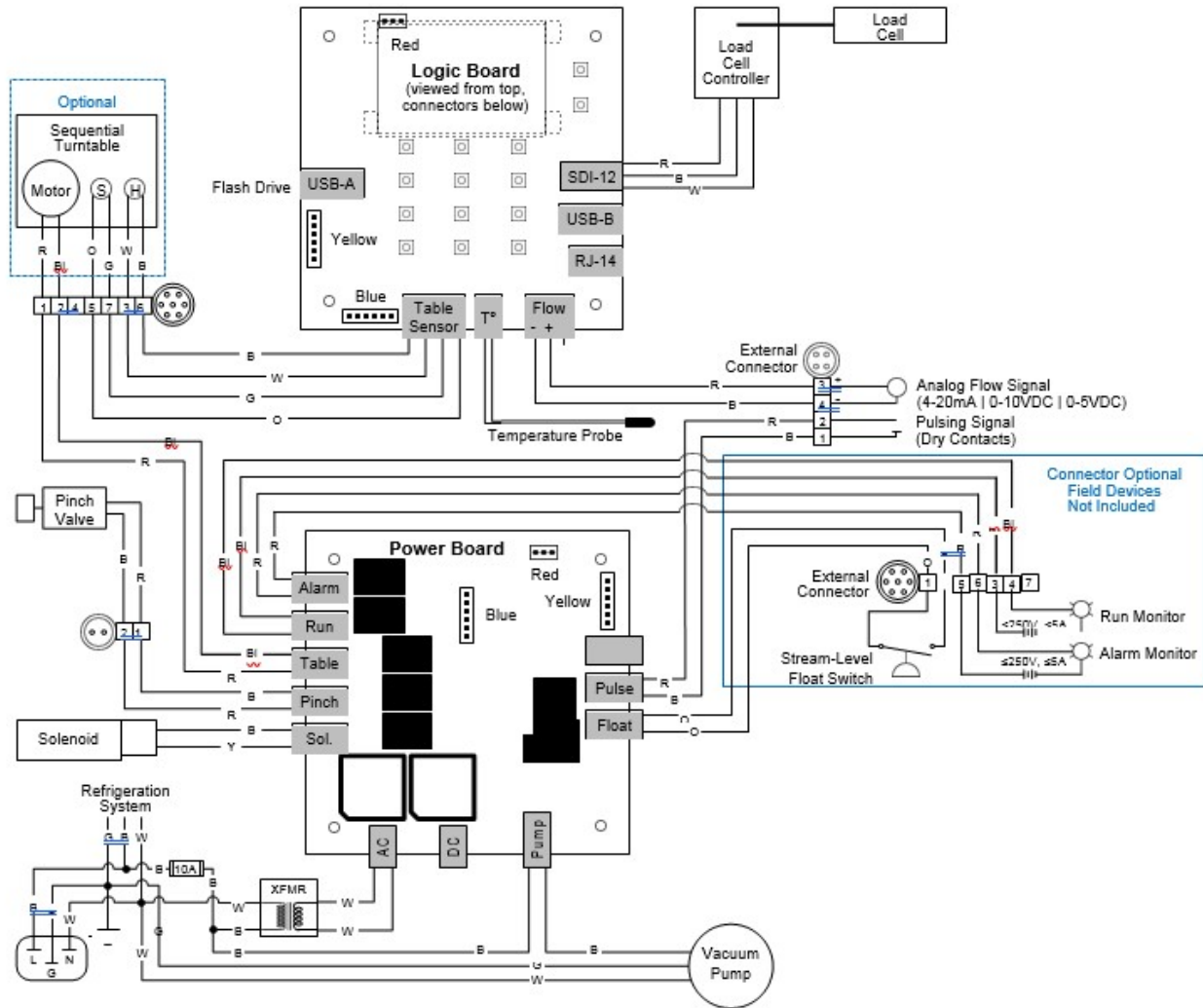


Figure B-9: Electrical Components

