

Using RediSep® Flash Columns

on FlashMaster® Chromatography Systems

Overview

By replacing the plunger assembly with a column adapter, it is possible to operate RediSep® columns on Argonaut/Jones Chromatography FlashMaster systems.

Loading capacities are comparable for similar column sizes. However, there are several advantages to using the RediSep columns rather than the Flash-XL columns:

Convenience – The RediSep columns are much easier to change than flash columns, which require disassembly and reassembly. Changing flash columns usually results in spilling of solvent. RediSep columns are not disassembled but merely disconnected, thereby reducing the chance for spillage.

Compatibility – RediSep columns are compatible with FlashMaster systems, and more importantly, they are designed specifically for Teledyne Isco's CombiFlash® instruments. CombiFlash instrumentation allows significant advantages in accuracy, automation, and timesavings.

Kit Contents (P/N 60-2207-409)

Enclosed in this starter kit you will find:

- **Adapter Assembly, Large** (P/N 60-2204-016) – for use with RediSep 4, 12, and 40 gram columns. Quantity 1.
- **Adapter Assembly, Small** (P/N 60-2204-017) – for use with RediSep 120 gram columns. Quantity 1.
- **RediSep 12g Columns** – Suitable for 80 to 240 mg sample sizes; column volume of 48 mL. Quantity 2.
- **RediSep 40g Columns** – Suitable for 240 to 800 mg sample sizes; column volume of 192 mL. Quantity 2.
- **Documentation** – In addition to this instruction sheet, you will also find the Material Safety Data Sheet for the media in the RediSep columns, and a postcard to order RediSep columns in various sizes and quantities.

Removing the Plunger Assembly

Refer to Figure 1.

1. Lift the plunger and column up and out from the lower column mount.
2. Turn the column and plunger assembly to remove it from the upper column fitting.
3. Remove the threaded column inlet fitting from the bottom of the plunger assembly.

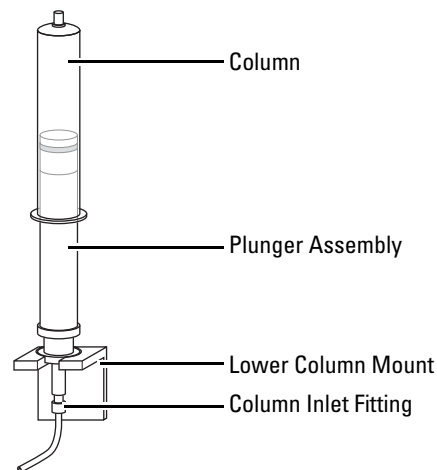


Figure 1: FlashMaster Plunger Assembly

Preparing the Column Adapter

Refer to Figure 2.

1. Select a column adapter. Use the large, taller adapter with RediSep 4, 12, and 40 gram columns. Use the small, shorter adapter with RediSep 120 gram columns.
2. Connect the column inlet fitting to the bottom of the column adapter.

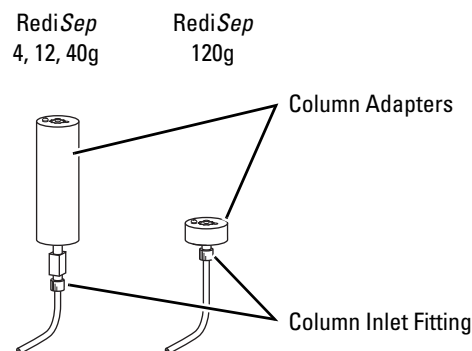


Figure 2: RediSep Column Adapter Installed

Installing the RediSep Column

Refer to Figure 3.

1. Connect the inlet of the RediSep column to the column adapter. Rotate the body of the column slightly (about $\frac{1}{8}$ to $\frac{1}{4}$ of a turn) to seat the column in the Luer-Lok fitting.
2. Insert the adapter and column between the upper and lower column mounts.
3. Connect the outlet to the upper column mount. Rotate the column slightly (about $\frac{1}{8}$ to $\frac{1}{4}$ of a turn) to seat the column in the Luer-Lok fitting.
4. Place the column adapter in the lower column mount.

Conclusion

After the column has been connected, the instrument can be operated in the same manner as before. Note that the RediSep column will permit higher flow rates. Do not exceed 45 psi.

If you need assistance with these instructions or the use of RediSep columns, contact Teledyne Isco or your local sales representative.

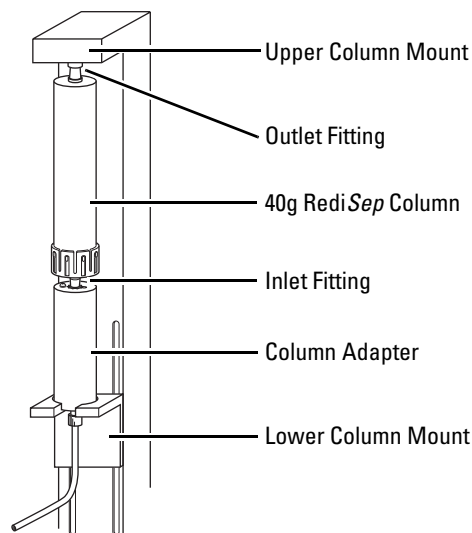


Figure 3: Installing a RediSep column
(40g shown)

Argonaut, Flash-XL, and FlashMaster are registered trademarks of Jones Chromatography/Argonaut Technologies, Inc.

Luer-Lok is a registered trademark of Becton, Dickinson and Company

Teledyne Isco

P.O. Box 82531, Lincoln, Nebraska, 68501 USA
Toll-free: (800) 228-4373 • Phone: (402) 464-0231 • Fax: (402) 465-3091
E-mail: IscoInfo@teledyne.com

Teledyne Isco is continually improving its products and reserves the right to change product specifications, replacement parts, schematics, and instructions without notice.

