

# ProHanger™

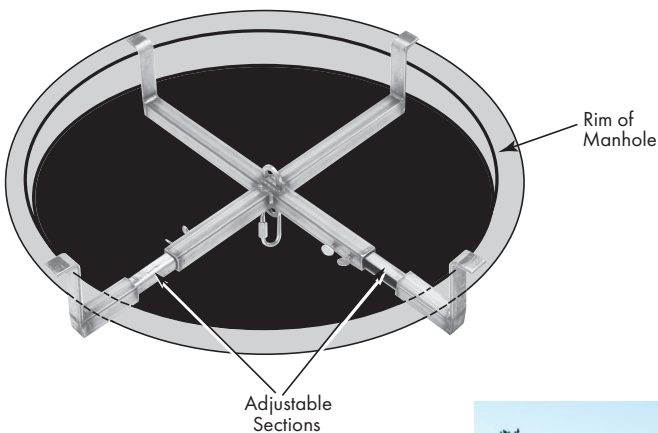
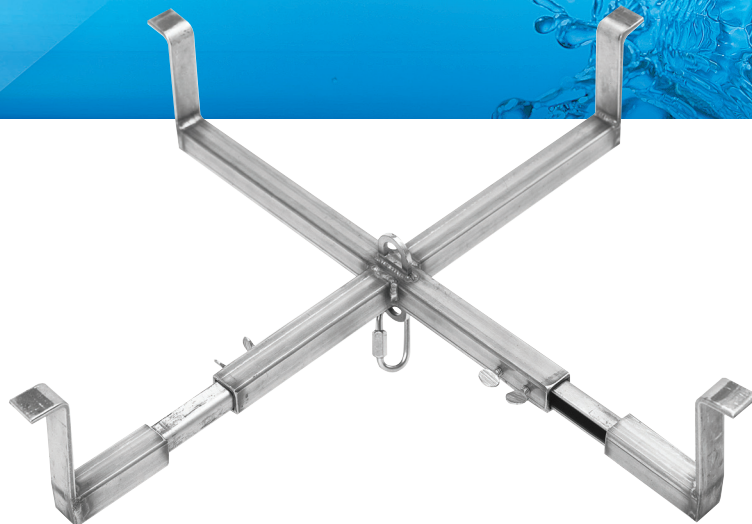
## Suspension Bracket

### Securely Suspend Your Equipment in Manholes

The Teledyne ISCO ProHanger is designed to provide a sturdy and simple way to suspend down-hole equipment, eliminating the need to enter a manhole.

It's easily adjustable, and features double wingscrew locks. The low-profile tabs allow manhole covers to be set back in place and remain flush with the surface.

ProHanger is ruggedly built and is 100% stainless steel to prevent corrosion. It's rated for loads in excess of 1,000 lbs.



### Applications:

- Secure, street-level installation of samplers and flowmeters in manholes

### Standard Features:

- All-stainless-steel construction.
- Rated for loads up to 1,000 lbs.
- Adjusts easily to fit manholes from 18 to 24 inch diameter

**Suspension Harness Available**  
We offer stainless steel suspension harnesses for our portable samplers (example shown). They clip directly to the ProHanger, making sampler placement quick and convenient.



## ProHanger™ Ordering Part Numbers

---

ProHanger for 18 to 24 inch manholes .....	69-2003-599
Suspension Harness for ISCO 3700 and 6700 Series Samplers .....	60-1394-014
Suspension Harness for ISCO GLS Samplers.....	60-2954-033

---

### Teledyne ISCO

P.O. Box 82531, Lincoln, Nebraska, 68501 USA  
Toll-free: (800) 228-4373 • Phone: (402) 464-0231 • Fax: (402) 465-3091

[teledyneisco.com](http://teledyneisco.com)



**TELEDYNE ISCO**  
Everywhereyoulook™

*Teledyne ISCO is continually improving its products and reserves the right to change product specifications, replacement parts, schematics, and instructions without notice.*

L-1115  
05/22