

# Installation Considerations: Dimensions, Distances, & Environment

## for Demi 2510S Continuous Flow Syringe Pump

### Overview

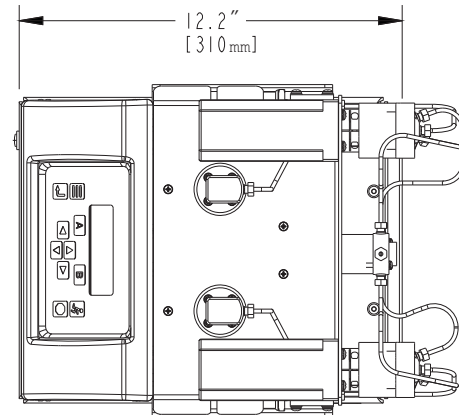
For optimal safety and performance in the operation of the Teledyne Isco Demi 2510S Continuous Flow Syringe Pump, this bulletin provides physical dimensions, weights of system components, and considerations for ideal laboratory conditions.

### Basic System Dimensions and Power Requirements

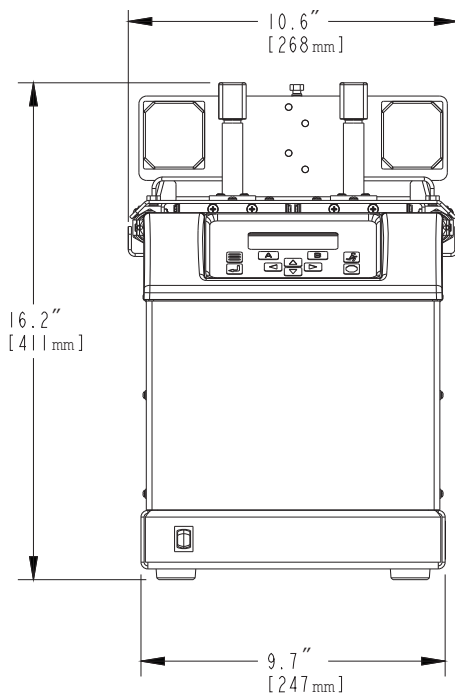
The pump controller is built into the pump module.

**Table 1: Demi 2510S Specifications**

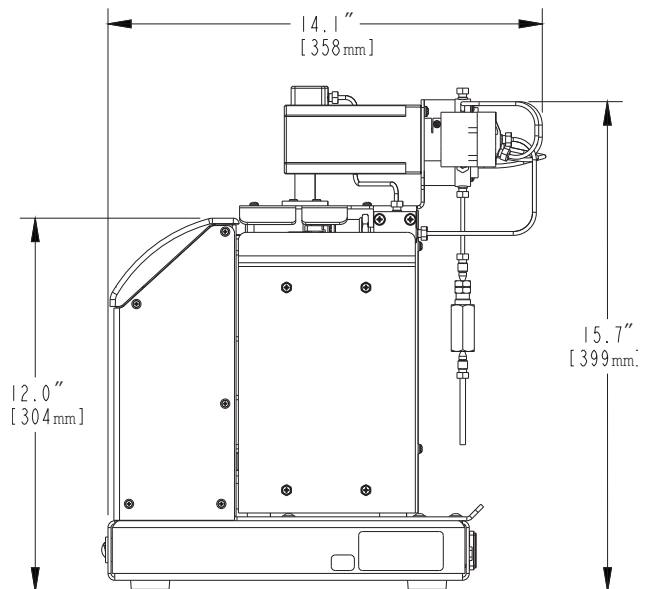
Weight	Pump - 13.8 kg (30.5 lb)
Power Requirements	100 ± 10 VAC, 1.0 A maximum 117 ± 12 VAC, 1.0 A maximum 243 ± 23 VAC, 0.50 A maximum
Line Frequency	50 or 60 Hz
Operating Temperature	5-40 °C (41-104 °F)



**Figure 2: Demi 2510S top view**



**Figure 1: Demi 2510S front view**



**Figure 3: Demi 2510S side view**

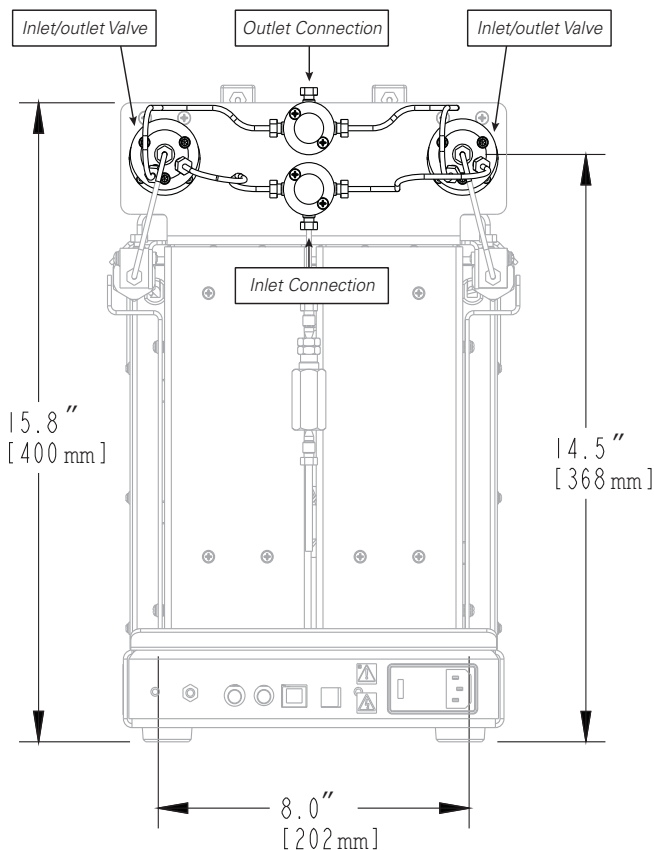
## Port Locations

Two connection points are provided for the Demi 2510S syringe pump, as shown in Figure 4. The upper connection, identified as the “Outlet Connection,” is the port which provides the fluid output from the pump. This port should be connected to your system. The lower connection, identified as the “Inlet Connection,” is the port which provides input from the fluid reservoir.

The automated valves incorporated in the Demi 2510S switch the output of the pump, thereby providing continuous flow. The Demi 2510S actuates these valves automatically to maintain continuous flow to your system. Therefore, additional valve modifications are not required for proper operation of the pump. No movement of parts will be externally visible during operation.

## Connection Tips

- Be sure to keep the tubing as straight as possible at the end as this will make it easier to install the ferrules.
- Be sure to cut the tubing ends squarely.
- Remove any burrs from the tubing ends.
- When installing ferrules on the tubing, be sure the tubing extends beyond the ferrule for proper crimping.
- If the connection is leaking, retighten the fittings.
- Push the tubing completely into the port before tightening the nut.



**Figure 4: Demi 2510S inlet/outlet ports**

### Teledyne Isco

P.O. Box 82531, Lincoln, Nebraska, 68501 USA  
 Toll-free: (800) 775-2965 • Phone: (402) 464-0231 • Fax: (402) 465-3001  
 E-mail: [IscoService@teledyne.com](mailto:IscoService@teledyne.com)

Teledyne Isco is continually improving its products and reserves the right to change product specifications, replacement parts, schematics, and instructions without notice.

